

LIST OF PARTS



SINGER** MACHINES

Nos. 247-2 and 247-3

THE SINGER MANUFACTURING COMPANY

**A Trade Mark of THE SINGER MANUFACTURING COMPANY

INSTRUCTIONS FOR OILING

To ensure easy running and prevent unnecessary wear of the parts which are in movable contact, the machine requires oiling and when in continuous use, "TYPE B" or "TYPE D" OIL, sold by Singer Sewing Machine Company, should be applied at least twice each day to all oil holes marked "OIL," as instructed in Form 20456.

"TYPE D" OIL should be used when an oil is desired which will produce a minimum of stain on fabrics, even after a long period of storage.

SPECIAL NOTICE

The letter "o," marked on oil pipe couplings must always be on the top. This is to insure that the oil spoon, attached to the inner end of each coupling, is open side up.

Copyright, U. S. A., 1938, 1952 and 1953 by
The Singer Manufacturing Company
All Rights Reserved for All Countries

INDEX

	Page
Accessories	26
Belt Guard	26
Cord or Lace Holder	26
Edge Guide (Solid Tube Borders)	26
Edge Guide (Split Tube Borders)	26
Edge Guides (247-3 Machine)	24
Fittings for 247-2 Machine	22
Fittings for 247-3 Machine	23
Foot Lifter Parts	27
Knee Lifter Parts	27
Machine 247-2	7
Machine 247-3	15
Machine Base	27
Machine Base Oil Drain Jar	28
Material Guard	28
Numerical List of Parts	31
Strip Gauge	28
Tape Disc Guide	29
Tape Holder	29
Thread Unwinder 247-2 Machine	29
Thread Unwinder 247-3 Machine	30
Transverse Binder on Shank	29
Tube Guide	28

From the library of: Diamond Needle Corp.

INSTRUCTIONS FOR ORDERING

In ordering from this list, use ONLY the part NUMBER in the FIRST column.

The number stamped on a Sewing Machine Part is in every case the number of the single part only.

Every combination of parts sent out as such has its specific number, which, although not stamped on the parts, must be used when ordering the combination.

Each number always indicates the SAME PART in whatever list it appears, or for whatever machine.

The letters after some of the numbers indicate the style of finish only, as follows:

- A—Hardened, Polished, Nickel Plated and Buffed
- A.A—Buffed and Chromium Plated
- A.B—Hardened, Polished, Buffed and Chromium Plated
- A.C—Brown Baking Enamel Finish
- A.D—Gray Baking Enamel Finish
- A.E—Hardened, Bright Rumbled and Nickel Plated
- A.F—Hardened, Bright Rumbled, Nickel Plated, Bright Rumbled and Chromium Plated
- A.G—Alumilite, Plain
- A.H—Alumilite, Dyed
- A.J—Polished, Nickel Plated and Chromium Plated
- A.K—Hardened, Polished, Nickel Plated and Chromium Plated
- A.L—Heat Treated for Toughness
 - B—Polished, Nickel Plated and Buffed
 - C—Hardened Only
- C.R—Hardened and Merlized
 - D—Polished Only
 - E—Soft, Not Polished
 - F—Hardened and Polished
- F.J—Hardened, Polished and Nickel Plated
 - G—Bright Rumbled and Nickel Plated
 - H—Blued
 - J—Nickel Plated Only
 - K—Hardened and Nickel Plated
 - L—Brass Plated
 - M—Oxidized
 - N—Japanned, Dull
 - P—Japanned, Bright
- P.P—Wrinkle Finish
 - R—Merlized
 - S—Cadmium Plated
 - T—Copper Plated
- T.A—Hardened, Polished, Copper and Nickel Plated and Buffed
- T.B—Copper and Nickel Plated and Polished
- T.J—Copper and Nickel Plated Only
- T.K—Hardened, Copper and Nickel Plated
- T.L—Copper and Brass Plated
- T.M—Copper Plated and Oxidized

INSTRUCTIONS FOR ORDERING—Continued

- U—Zinc Plated
- V—Silver Plated
- W—Polished and Nickel Plated
- X—Black Oxide, for Iron and Steel
- X.C—Hardened and Black Oxide, for Iron or Steel
- Y—Black Nickel Plated Only
- Z—Chromium Plated
- Z.A—Hardened, Polished, Nickel Plated, Buffed and Chromium Plated
- Z.B—Polished, Nickel Plated, Buffed and Chromium Plated
- Z.C—Hardened and Chromium Plated
- Z.D—Polished and Chromium Plated
- Z.G—Bright Rumbled, Nickel Plated, Bright Rumbled and Chromium Plated
- Z.J—Nickel and Chromium Plated
- Z.T—Copper and Chromium Plated

These letters MUST BE USED when they appear in the list; and AFTER the number as in the list.

In this series:

1 to 1500, 50001 to 51500 and 140001 to 142000 are Screw Numbers

1501 to 1800 and 51501 to 51800 are Nut Numbers

1801 to 2000 and 51801 to 52000 are Roller Numbers

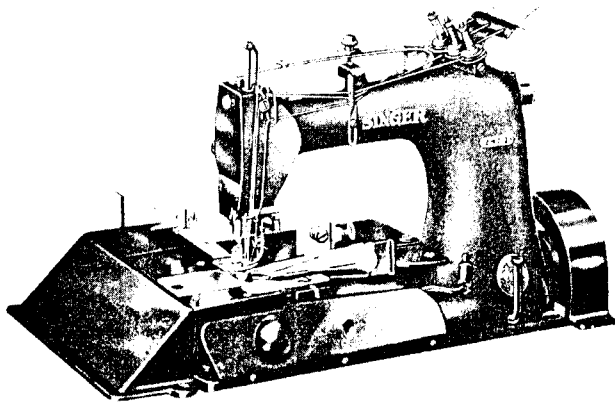
2001 to 50000 and 52001 to 140000 and 142001 to 190000 are Sewing Machine Parts, 190001 and upward are numbers of Electrical Parts.

The figures in the second column refer only to the plates, illustrating the parts, and are NOT TO BE USED in ordering.

Parts marked with an asterisk (*) are furnished only when repairs are made at factory.

When ordering parts which differ as to Gauge (the distance between seams), the Gauge, as well as the Number, must be given on order.

**LIST OF PARTS COMPLETE
FOR
MACHINE No. 247-2**



FOR ATTACHING SPLIT TUBE AND TUBE BORDERS TO NECKS AND ARM HOLES OF UNDERWEAR. CAN ALSO BE FITTED FOR ATTACHING LACE TO KNIT UNDERWEAR. TWO NEEDLES, ONE LOOPER AND MECHANISM FOR LAYING TOP COVERING THREAD. GAUGES FROM 1/8" TO 1/4" IN STEPS OF 1/32". MAXIMUM CLEARANCE UNDER PRESSER FOOT 5/32". NEEDLE BAR STROKE 1-7/32". SPEED 2800, DEPENDING ON MATERIAL USED AND OPERATIONS PERFORMED.

SINGER Needles should be used
in SINGER Machines
These Needles and their Containers
are marked with the
Company's Trade Mark "SIMANCO.**" 1

Needles in Containers marked
"FOR SINGER MACHINES"
are NOT SINGER made needles. 2

No.	Plate	Name
*168001		Arm, upper and lower (solid) with 51422J, 68483 and four 131022.....
68428	25551	Arm Bottom Cover.....
68429	25551	Arm Bottom Cover Gasket (cork).....
1057AL	25551	Arm Bottom Cover Screw (4).....
50608R	25551	Arm Hole Plug Screw, for access to Crank Connecting Rod (upper bearing).....
139017	25551	Arm Hole Plug Screw Washer.....
68350	25612	Arm Oil Cup, for oiling Arm Rock Shaft Front Bearing.....
131864	25613	Arm Oil Cup, for 131866.....
131865	25613	Arm Oil Cup Oil Gauge.....
131866	25613	Arm Oil Cup with Oil Gauge complete, Nos. 131864 and 131865, for filling oil reservoir.....
131319	25612	Arm Oil Cup Oil Pad (braided cotton) for 68350.....
131937	25612	Arm Rock Shaft and Front Crank with 853AL, 1235F, 50505C and 131819.....
1309C	25612	Arm Rock Shaft Adjusting Screw.....
131056	25612	Arm Rock Shaft Adjusting Screw Washer.....
68433	25612	Arm Rock Shaft Bushing (back).....
68435	25612	Arm Rock Shaft Bushing (back) Cap.....
131095	25612	Arm Rock Shaft Bushing (back) Cap Washer (fiber).....
446AL	25612	Arm Rock Shaft Bushing (back) Set Screw.....
68436	25612	Arm Rock Shaft Bushing (intermediate).....
423AL	25612	Arm Rock Shaft Bushing (intermediate) Set Screw.....
131072	25613	Arm Rock Shaft Crank, back (ball bearing, solid) with two 50083AL.....
50083AL	25613	Arm Rock Shaft Crank (back) Set Screw (2).....
131456	25612	Arm Rock Shaft Flanged Bushing (front).....
453AL	25612	Arm Rock Shaft Flanged Bushing (front) Set Screw.....
42365	25612	Arm Rock Shaft Oil Pad (braided cotton) for oiling Back Bearing.....
54969	25612	Arm Rock Shaft Oil Pad (braided cotton) for oiling Intermediate Bearing.....
1235F	25612	Arm Rock Shaft Oil Plug Screw.....

No.	Plate	Name
168002	25613	Arm Rotary Shaft with 168215
168003		Arm Rotary Shaft 168002 with 131930 and 168010
131366	25613	Arm Rotary Shaft Ball Bearing (back) (2)
131478	25613	Arm Rotary Shaft Ball Bearing (back) Case
131479		Arm Rotary Shaft Ball Bearing (back) Case 131478 with 131369 and three 205C
131526		Arm Rotary Shaft Ball Bearing (back) Case with Ball Bearings complete, Nos. 131479, 131480 and two 131366
131369	25613	Arm Rotary Shaft Ball Bearing (back) Case Cap
205C	25613	Arm Rotary Shaft Ball Bearing (back) Case Cap Screw (3)
131370	25613	Arm Rotary Shaft Ball Bearing (back) Case Position Stud (3)
429C	25613	Arm Rotary Shaft Ball Bearing (back) Case Set Screw
131480	25613	Arm Rotary Shaft Ball Bearing (back) Spacing Collar
131366	25613	Arm Rotary Shaft Ball Bearing (intermediate)
131481	25613	Arm Rotary Shaft Ball Bearing (intermediate) Case
1304C	25613	Arm Rotary Shaft Ball Bearing (intermediate) Case Set Screw
131482	25613	Arm Rotary Shaft Ball Bearing (intermediate) Collar with two 457AL
457AL	25613	Arm Rotary Shaft Ball Bearing (intermediate) Collar Set Screw (2)
131959	25613	Arm Rotary Shaft Bushing (front)
68497	25613	Arm Rotary Shaft Bushing (front) Bearing Oil Pad (wick)
*68483		Arm Rotary Shaft Bushing (front) Bracket with 761E
51422J	25613	Arm Rotary Shaft Bushing (front) Bracket Screw
131028	25613	Arm Rotary Shaft Bushing (front) Oil Plug
761E	25613	Arm Rotary Shaft Bushing (front) Position Screw
131457	25613	Arm Rotary Shaft Bushing (intermediate)
761E	25613	Arm Rotary Shaft Bushing (intermediate) Position Screw
42367	25613	Arm Rotary Shaft Bushing (intermediate) Oil Pad, lower (braided cotton)
54218	25613	Arm Rotary Shaft Bushing (intermediate) Oil Pad, upper (braided cotton)
168215	25613	Arm Rotary Shaft Oil Wick
144D	25613	Arm Rotary Shaft Screw
131276	25551	Arm Side Cover (oil vent)
131909	25551	Arm Side Cover Cap
131280	25551	Arm Side Cover Cap Position Pin
1289X	25551	Arm Side Cover Cap Screw
131910	25551	Arm Side Cover Cap Spring
131911	25551	Arm Side Cover (oil vent) complete, Nos. 1289X, 131276, 131280, 131909 and 131910
68448	25551	Arm Side Cover Gasket
1057AL	25551	Arm Side Cover Screw (4)
168255	25614	Cloth Plate
68107	25614	Cloth Plate Slide
38419	25614	Cloth Plate Slide Spring
665J	25614	Cloth Plate Slide Spring Screw (2)
68108	25614	Cloth Plate Slide complete, Nos. 38419, 68107 and two 665J
168261	25614	Cloth Plate complete, Nos. 68108, 121678, 140594C, 168255 and 168265
1011F	25614	Cloth Plate Screw (left) (2)
50473F	25614	Cloth Plate Screw (right)
*131926	25613	Crank Connecting Rod with two each 1057AL, 51715AL, 131927 and 131928

NOTE: When No. 131926 is required for repairs, the Connecting Rod and Arm Rock Shaft Crank (back) fitted together, will be furnished. All Agency orders for this part must state the machine number for which it is required, in order to obtain correct Needle Bar Stroke.

131930 Crank Connecting Rod 131926 with 131072

No.	Plate	Name
131927	25613	Crank Connecting Rod Cap (lower) Screw Stud (2)
51715AL	25613	Crank Connecting Rod Cap (lower) Screw Stud Nut (2)
131928	25613	Crank Connecting Rod Cap (lower) Screw Stud Nut Lock Washer (2)
1057AL	25613	Crank Connecting Rod Cap (upper) Screw (2)
131760	25616	Face Plate (lower half)
131761	25616	Face Plate (lower half) Gasket (cork)
330J	25616	Face Plate (lower half) Screw (2)
131762	25616	Face Plate (upper half)
29234	25616	Face Plate (upper half) Position Plate
1053E	25616	Face Plate (upper half) Position Plate Screw
50190W	25616	Face Plate (upper half) Thumb Screw
168006	25618	Feed (back) Bar
168007		Feed (back) Bar complete, Nos. 1147AL, 50429AL, 68467, 168006 and two 207E
131766	25618	Feed (back) Bar Hinge Pin
889AL	25618	Feed (back) Bar Hinge Pin Set Screw
68467	25618	Feed (back) Bar Wearing Plate
207E	25618	Feed (back) Bar Wearing Plate Screw (2)
157J	25623	Feed (back) Dog (See Fittings Page Nos. 22 and 23)
50429AL	25618	Feed (back) Dog Screw
147568	25618	Feed (back) Stop Screw
147569	25618	Feed (front) Bar
51408AL	25618	Feed (front) Bar Feed Dog Seat (adjustable)
147570	25618	Feed (front) Bar Feed Dog Seat Screw
		Feed (front) Bar complete, Nos. 51408AL, 147568 and 147569
147571		Feed (front) Bar 147570 with 131769 and 131770
131769	25618	Feed (front) Bar Guide
704E	25618	Feed (front) Bar Guide Screw
131770	25618	Feed (front) Bar Slide Bar
1147AL	25618	Feed (front) Bar Slide Bar Set Screw
190J	25623	Feed (front) Dog, (See Fittings Page Nos. 22 and 23)
168009	25618	Feed (front) Dog Screw
131500	25613	Feed Bar Slide Block
168010		Feed Connecting Rod with 1057AL, 68497, 134260 and two 896AL
896AL	25613	Feed Connecting Rod 131500 with 168011
1057AL	25613	Feed Connecting Rod Cap Screw (2)
131772	25618	Feed Connecting Rod Clamping Screw
59343	25618	Feed Connecting Rod Hinge Pin (eccentric)
735AL	25618	Feed Connecting Rod Hinge Pine Collar with 735AL
68497	25613	Feed Connecting Rod Hinge Pin Collar Set Screw
134260	25613	Feed Connecting Rod Oil Pad (wick)
51061AL	25613	Feed Connecting Rod Oil Pad Retainer
7071		Feed Eccentric Body Set Screw (3)
217J	25613	Feed Eccentric Clamping Washer (2)
138306		Feed Eccentric Clamping Washer Screw (2)
168011	25613	Feed Eccentric Lubricating Pad (wood)
		Feed Eccentric (adjustable) complete, Nos. 1103C, 138306, two each 217J, 7071 and three 51061AL
168012	25613	Feed Lifting Eccentric with three 624AL
624AL	25613	Feed Lifting Eccentric Set Screw (3)
1103C	25613	Feed Regulating Screw
131773	25618	Feed Rocking Frame with 889AL and two 1036AL
168303		Feed Rocking Frame 131773 with 61C, 704E, 1655E, 51700C, 59343, 131766, 131772, 131775, 131779, 131780, 131781, 140311C, 147571 and 168007
131775	25618	Feed Rocking Frame Hinge Pin
57235	25618	Feed Rocking Frame Hinge Pin Bushing (2)
453AL	25618	Feed Rocking Frame Hinge Pin Bushing Set Screw (2)
1036AL	25618	Feed Rocking Frame Hinge Pin Set Screw (2)
131776	25618	Gathering Feed Actuating Lever

Part of the Project of Diemtron Media Corp

No.	Plate	Name
131777	25618	Gathering Feed Actuating Lever Bracket with 175C, 910AL and two 1735C
131867	25618	Gathering Feed Actuating Lever Bracket 131777 with 359C, 1226C, 1520J, 9525, 50183F, 131776 and two 1654C
172J	25618	Gathering Feed Actuating Lever Bracket Screw (2)
50183F	25618	Gathering Feed Actuating Lever Hinge Screw
1520J	25618	Gathering Feed Actuating Lever Hinge Screw Nut
359C	25618	Gathering Feed Actuating Lever Locking Screw
1654C	25618	Gathering Feed Actuating Lever Locking Screw Lock Nut
1654C	25618	Gathering Feed Actuating Lever Locking Screw Nut
9525	25618	Gathering Feed Actuating Lever Locking Screw Nut Washer
131778	25618	Gathering Feed Actuating Lever Spring
170C	25618	Gathering Feed Actuating Lever Spring Screw Stud (lower)
1226C	25618	Gathering Feed Actuating Lever Spring Screw Stud (upper)
910AL	25618	Gathering Feed Actuating Lever Stop Screw (lower)
1735C	25618	Gathering Feed Actuating Lever Stop Screw (lower) Nut
175C	25618	Gathering Feed Actuating Lever Stop Screw (upper)
1735C	25618	Gathering Feed Actuating Lever Stop Screw (upper) Nut
131779	25618	Gathering Feed Regulator with two 1057AL
1057AL	25618	Gathering Feed Regulator Clamping Screw (2)
131780	25618	Gathering Feed Regulator Connection
140311C	25618	Gathering Feed Regulator Connection Hinge Screw (back)
51700C	25618	Gathering Feed Regulator Connection Hinge Screw (back) Nut
131781	25618	Gathering Feed Regulator Connection Hinge Screw (back) Nut Washer
61C	25618	Gathering Feed Regulator Connection Hinge Screw (front)
1655E	25618	Gathering Feed Regulator Connection Hinge Screw (front) Nut
168014	25602	Looper
168015	25602	Looper 168014 with 229J and 46104
168016	25602	Looper Carrier
168208	Looper Carrier 168016 with 132583, 168019, 168020, 168021 and 168023
168238	Looper Carrier 168208 with 168017 and 168205
168017	25602	Looper Carrier Shaft with 1231E
168018	25602	Looper Carrier Shaft Crank with two 1057AL
1057AL	25602	Looper Carrier Shaft Crank Clamping Screw (2)
68497	25613	Looper Carrier Shaft Oil Pad (wick)
1231E	25602	Looper Carrier Shaft Plug Screw
1497C	25602	Looper Carrier Shaft Set Screw
168012	25613	Looper (avoiding motion) Eccentric with three 624AL
168019	25602	Looper (avoiding motion) Eccentric Connection with 223C
132583	25602	Looper (avoiding motion) Eccentric Connection Hinge Pin with 132584
132584	25602	Looper (avoiding motion) Eccentric Connection Hinge Pin Oil Wick
223C	25602	Looper (avoiding motion) Eccentric Connection Hinge Pin Set Screw
168020	25602	Looper (avoiding motion) Eccentric Connection Holder
168021	25602	Looper (avoiding motion) Eccentric Connection Holder Screw Bushing
168022	25602	Looper (avoiding motion) Eccentric Connection Holder Screw Bushing Bearing
448AL	25602	Looper (avoiding motion) Eccentric Connection Holder Screw Bushing Set Screw (2)
168023	25602	Looper (avoiding motion) Eccentric Connection Holder Thrust Bearing
624AL	25613	Looper (avoiding motion) Eccentric Set Screw (3)
168024	25602	Looper (driving) Eccentric with three 1036AL
168025	25602	Looper (driving) Eccentric Connection with two each 175C and 140159AL

No.	Plate	Name
168205	Looper (driving) Eccentric Connection 168025 with 50138E, 168018, 168024 and 168026
175C	25602	Looper (driving) Eccentric Connection Cap (lower) Screw (2)
140159AL	25602	Looper (driving) Eccentric Connection Cap (upper) Screw (2)
168026	25602	Looper (driving) Eccentric Connection Position Plate
50138E	25602	Looper (driving) Eccentric Connection Position Plate Screw
1036AL	25602	Looper (driving) Eccentric Set Screw (3)
168263	25614	Looper Gate
168264	25614	Looper Gate Arm with 1277E
140594C	25614	Looper Gate Arm Hinge Screw
121678	25614	Looper Gate Arm Spring
1277E	25614	Looper Gate Arm Stop Screw
1094E	25614	Looper Gate Screw (3)
168265	Looper Gate complete, Nos. 168263, 168264 and three 1094E
131504	24602	Looper Holder with 1120AL
51119J	25602	Looper Holder Screw
46104	25602	Looper Needle Guard with 46105
46105	25602	Looper Needle Guard Pin
229J	25602	Looper Needle Guard Screw
1120AL	25602	Looper Set Screw
131914	25613	Machine Driving Pulley "V" belt groove (outside diam. of belt groove 2.9 in.) with two 51283AL for 3/8 in. "V" belt
51283AL	25613	Machine Driving Pulley Set Screw (2)
131497	25616	Needle Bar (hollow)
131291	25616	Needle Bar complete (See Fittings Page Nos. 22 and 23)
1133E	25616	Needle Bar Bushing (lower)
64320	25616	Needle Bar Bushing (lower) Set Screw
1133E	25616	Needle Bar Bushing (upper)
168030	25616	Needle Bar Bushing (upper) Set Screw
168031	Needle Bar Connecting Link
68489	25616	Needle Bar Connecting Link 168030 with 68489 and 131492
1520J	25616	Needle Bar Connecting Link Hinge Stud (hollow)
131270	25616	Needle Bar Connecting Link Hinge Stud Nut
861C	25616	Needle Bar Connecting Link Hinge Stud Oil Pad (wick)
853AL	25612	Needle Bar Connecting Link Hinge Stud Oil Plug Screw
131492	25616	Needle Bar Connecting Link Hinge Stud Set Screw
1492E	25616	Needle Bar Connecting Stud with 1492E
168033	25616	Needle Bar Connecting Stud Clamping Screw
168035	25616	Needle Clamp (See Fittings Page Nos. 22 and 23)
51369E	25623	Needle Clamp Thread Guide
51047C	25623	Needle Guard (movable) (See Fittings Page Nos. 22 and 23)
7071	25623	Needle Guard (movable) Holder
50014F	25616	Needle Guard (movable) Holder Screw
68492	25562	Needle Guard (movable) Screw
68493	25562	Needle Guard (movable) Screw Washer
176E	25562	Needle Set Screw (2)
68494	25562	Oil Pipe (back of arm) with 68497, for oiling Feed Rocking Frame Hinge Pin Front Bearing
198E	25562	Oil Pipe (back of arm) Clamp
68495	25562	Oil Pipe (back of arm) Clamp Screw
68496	25562	Oil Pipe (back of arm) Connection with 68495 and two 198E, for oiling Feed Rocking Frame Hinge Pin Back Bearing
1733	25562	Oil Pipe (back of arm) Connection Cap Screw (2)
68497	25562	Oil Pipe (back of arm) Connection Oil Pad (wick)
168036	25562	Oil Pipe (back of arm) Coupling
168037	Oil Pipe (back of arm) Coupling Nut (brass)
.....	Oil Pipe (back of arm) Oil Pad (wick)
.....	Oil Pipe (front of arm, long) with two 1733
.....	Oil Pipe (front of arm, long) complete, Nos. 168036, 168038 and 168039

No.	Plate	Name
131004	25562	Oil Pipe (front of arm, long) Coupling (left).....
131798	25562	Oil Pipe (front of arm, long) Coupling (right).....
1733	25562	Oil Pipe (front of arm, long) Coupling Nut (brass) (2).....
168038	25562	Oil Pipe (front of arm, long) Oil Lead with 1733 and 131003 for oiling Arm Rotary Shaft Front Bearing.....
168039	25562	Oil Pipe (front of arm, long) Oil Lead with 68497 and 131003, for oiling Feed Connecting Rod.....
131003	25562	Oil Pipe (front of arm, long) Oil Lead Connection with two 198E, for 168038 and 168039 (2).....
198E	25562	Oil Pipe (front of arm, long) Oil Lead Connection Cap Screw (4).....
131004	25562	Oil Pipe (front of arm, long) Oil Lead Coupling.....
1733	25562	Oil Pipe (front of arm, long) Oil Lead Coupling Nut (brass).....
68497	25562	Oil Pipe (front of arm, long) Oil Lead Oil Pad (wick).....
168040	25562	Oil Pipe (front of arm, short) with 131089 and two 1733.....
131004	25562	Oil Pipe (front of arm, short) Coupling (2).....
1733	25562	Oil Pipe (front of arm, short) Coupling Nut (brass) (2).....
131089	Oil Pipe (front of arm, short) Oil Wick (braided cotton).....
168041	25614	Oil Splash Guard (front of arm).....
331J	25614	Oil Splash Guard (front of arm) Screw (3).....
168042	25614	Oil Splash Guard (side of arm).....
54038	25614	Oil Splash Guard (side of arm) Holder.....
190J	25614	Oil Splash Guard (side of arm) Holder Screw.....
217J	25614	Oil Splash Guard (side of arm) Screw.....
131912	25616	Presser Bar (hollow).....
38456	25616	Presser Bar Bushing (upper).....
1133E	25616	Presser Bar Bushing (upper) Set Screw.....
131799	25616	Presser Bar Lifting Bracket with 453AL.....
11173	25616	Presser Bar Lifting Bracket Guide.....
453AL	25616	Presser Bar Lifting Bracket Guide Set Screw.....
453AL	25616	Presser Bar Lifting Bracket Set Screw.....
131402	25619	Presser Bar Lifting Lever.....
168043	25619	Presser Bar Lifting Lever Extension.....
161J	25619	Presser Bar Lifting Lever Extension Screw (2).....
802X	25619	Presser Bar Lifting Lever Hinge Screw.....
131749	25551	Presser Bar Spring.....
131750	25551	Presser Bar Spring (auxiliary).....
38468	25551	Presser Bar Spring Stud.....
168044	25551	Presser Bar Spring complete, Nos. 269W, 1637J, 131749, 131750 and 131752.....
		Presser Foot (hinged) complete (See Fittings Page Nos. 22 and 23).....
176J	25623	Presser Foot Screw.....
269W	25551	Pressure Regulating Thumb Screw.....
1637J	25551	Pressure Regulating Thumb Screw Lock Nut.....
131752	25551	Pressure Regulating Thumb Screw Washer.....
168046	25616	Tension (thread covering) Controller Eyelet.....
208AL	25616	Tension (thread covering) Controller Eyelet Screw.....
2102	25619	Tension (thread covering) Disc (2).....
51570C	25619	Tension (thread covering) Regulating Thumb Nut.....
32572	25619	Tension (thread covering) Releasing Disc.....
54988	25619	Tension (thread covering) Releasing Pin.....
50326C	25619	Tension (thread covering) Screw Stud.....
59539	Tension (thread covering) Screw Stud 50326C with 51570C.....
131740	25619	Tension (thread covering) Spring.....
59537	25619	Tension (thread covering) Spring Bushing (large).....
59538	25619	Tension (thread covering) Spring Bushing (small).....
54279	25619	Tension (thread covering) Thread Guide (double).....
168047	25616	Tension (thread covering) Thread Guide.....
335J	25616	Tension (thread covering) Thread Guide Screw.....
2102	25619	Tension (under thread) Disc (2).....
51570C	25619	Tension (under thread) Regulating Thumb Nut.....
140113C	25619	Tension (under thread) Screw Stud.....
131809	Tension (under thread) Screw Stud 140113C with 51570C.....

No.	Plate	Name
131740	25619	Tension (under thread) Spring.....
59537	25619	Tension (under thread) Spring Bushing (large).....
59538	25619	Tension (under thread) Spring Bushing (small).....
131696	25619	Tension (under thread) Thread Guide (double).....
68002	25619	Tension (upper thread) Bracket.....
376J	25619	Tension (upper thread) Bracket Screw.....
2102	25619	Tension (upper thread) Disc (4).....
51570C	25619	Tension (upper thread) Regulating Thumb Nut (2).....
32572	25619	Tension (upper thread) Releasing Disc (2).....
54988	25619	Tension (upper thread) Releasing Pin (2).....
68003	25619	Tension (upper thread) Releasing Shaft.....
54047	25619	Tension (upper thread) Releasing Shaft Crank with 624AL.....
54048	25619	Tension (upper) Thread Releasing Shaft Crank Link.....
624AL	25619	Tension (upper thread) Releasing Shaft Crank Set Screw.....
68261	25619	Tension (upper thread) Releasing Shaft Spring.....
316C	25619	Tension (upper thread) Releasing Shaft Stop Screw.....
1547J	25619	Tension (upper thread) Releasing Shaft Stop Screw Nut.....
50326C	25619	Tension (upper thread) Screw Stud (2).....
59539	Tension (upper thread) Screw Stud 50326C with 51570C (2).....
131741	25619	Tension (upper thread) Spring (2).....
59537	25619	Tension (upper thread) Spring Bushing (large) (2).....
59538	25619	Tension (upper thread) Spring Bushing (small) (2).....
54279	25619	Tension (upper thread) Thread Guide (2).....
168145	25619	Tension (upper thread) Thread Separator.....
168209	25616	Thread Carrying Finger.....
50624E	25616	Thread Carrying Finger Clamping Screw.....
131811	25616	Thread Carrying Finger Holder (segment) with 50624E.....
131812	25616	Thread Carrying Finger Holder Bracket.....
131868	Thread Carrying Finger Holder Bracket 131812 with 212J, 226C, 131811, 131813 and 131814.....
1057AL	25616	Thread Carrying Finger Holder Bracket Screw (2).....
212J	25616	Thread Carrying Finger Holder Cap Screw.....
131813	25616	Thread Carrying Finger Holder Slide Block.....
226C	25616	Thread Carrying Finger Holder Slide Block Cap Screw.....
131814	25616	Thread Carrying Finger Holder Slide Block Crank with 171AL.....
171AL	25616	Thread Carrying Finger Holder Slide Block Crank Clamping Screw.....
131815	25616	Thread Carrying Finger Oscillating Arm (forked) and Presser Bar Bushing (lower).....
131816	25616	Thread Carrying Finger Oscillating Arm Slide Block.....
147518	Thread Carrying Finger Oscillating Arm Slide Block 131816 with 131817 and 140645F.....
140645F	25616	Thread Carrying Finger Oscillating Arm Slide Block Cap Screw.....
131817	25616	Thread Carrying Finger Oscillating Arm Slide Block Holder with 462AL.....
131818	25616	Thread Carrying Finger Oscillating Arm Slide Block Holder Driving Stud.....
131819	25612	Thread Carrying Finger Oscillating Arm Slide Block Holder Driving Stud Bushing.....
50505C	25612	Thread Carrying Finger Oscillating Arm Slide Block Holder Driving Stud Bushing Set Screw.....
462AL	25616	Thread Carrying Finger Oscillating Arm Slide Block Holder Set Screw.....
131820	25616	Thread Carrying Finger Oscillating Arm Slide Block Holder Shaft.....
131028	25616	Thread Carrying Finger Oscillating Arm Slide Block Holder Shaft Oil Screw Plug.....
131821	25616	Thread Laying Finger.....
168048	25616	Thread Laying Finger Holder with 1057AL and two 50370AL.....
1057AL	25616	Thread Laying Finger Holder Clamping Screw.....

No.	Plate	Name
50370AL	25616	Thread Laying Finger Set Screw
53225	25619	Thread (under) Eyelet (back)
190J	25619	Thread (under) Eyelet (back) Screw
168049	25613	Thread (under) Nipper Cam with 889AL
889AL	25613	Thread (under) Nipper Cam Set Screw
38210	25621	Thread (under) Nipper Spring (lower)
168050	25621	Thread (under) Nipper Spring (upper)
46247	25621	Thread (under) Nipper Spring (upper) Stop
176J	25621	Thread (under) Nipper Spring Screw
168051	25613	Thread (under) Take-up (left) with three 50150AL
50150AL	25613	Thread (under) Take-up (left) Set Screw (3)
168052	25621	Thread (under) Take-up (left) Stripper
168053	25621	Thread (under) Take-up (left) Stripper Bracket
176J	25621	Thread (under) Take-up (left) Stripper Bracket Screw (2)
51323J	25621	Thread (under) Take-up (left) Stripper Screw
17022	25621	Thread (under) Take-up (left) Stripper Screw Washer
168054	25621	Thread (under) Take-up (left) Thread Guide (left)
168055	25621	Thread (under) Take-up (left) Thread Guide (right)
140180J	25621	Thread (under) Take-up (left) Thread Guide Screw (2)
7071	25621	Thread (under) Take-up (left) Thread Guide Screw Washer (2)
168056	25613	Thread (under) Take-up (right)
220E	25613	Thread (under) Take-up (right) Screw (2)
168057	25621	Thread (under) Take-up (right) Stripper
168058	25621	Thread (under) Take-up (right) Stripper Bracket
207J	25621	Thread (under) Take-up (right) Stripper Bracket Screw (2)
236J	25621	Thread (under) Take-up (right) Stripper Screw (2)
168065	25621	Thread (under) Take-up (right) Thread Guide
50231W	Thread (under) Take-up (right) Thread Guide Screw
17022	Thread (under) Take-up (right) Thread Guide Screw Washer
168059	25621	Thread (under) Take-up Stripper Plate
131411	25621	Thread (under) Take-up Stripper Plate Bracket
168060	25621	Thread (under) Take-up Stripper Plate Bracket 131411 with 38210, 46247, 50231W, 51323J, 168050, 168052, 168053, 168054, 168055, 168057, 168058, 168059, 168065, two each 207J, 236J, 7071, 17022, 140180J and three 176J
965D	25621	Thread (under) Take-up Stripper Plate Bracket Screw
168061	25619	Thread (upper) Eyelet
190J	25619	Thread (upper) Eyelet Screw
7071	25619	Thread (upper) Eyelet Screw Washer
168130	25616	Thread (upper) Take-up with 223J
223J	25616	Thread (upper) Take-up Clamping Screw
168045	25619	Thread (upper) Take-up (auxiliary)
131496	25619	Thread (upper) Take-up (auxiliary) Clamp
997J	25619	Thread (upper) Take-up (auxiliary) Clamp Screw
742F	25623	Throat Plate (See Fittings Page Nos. 22 and 23)
		Throat Plate Screw (2)

LIST OF PARTS COMPLETE FOR MACHINE No. 247-3

FOR JOINING CUFF AND ANKLE PIECES TO KNIT UNDERWEAR. THREE NEEDLES. ONE LOOPER. GAUGES 3/32" OR 1/8" BETWEEN EACH NEEDLE. SPEED 2800. DEPENDING ON MATERIAL USED AND OPERATIONS PERFORMED.

No.	Plate	Name
*168001	Arm, upper and lower (solid) with 51422J, 68483 and four 131022
68428	25551	Arm Bottom Cover
68429	25551	Arm Bottom Cover Gasket (cork)
1057AL	25551	Arm Bottom Cover Screw (4)
50608R	25551	Arm Hole Plug Screw, for access to Crank Connecting Rod (upper bearing)
139017	25551	Arm Hole Plug Screw Washer
68350	25612	Arm Oil Cup, for oiling Arm Rock Shaft Front Bearing
131864	25613	Arm Oil Cup, for 131866
131865	25613	Arm Oil Cup Oil Gauge
131866	25613	Arm Oil Cup with Oil Gauge complete, Nos. 131864 and 131865, for filling oil reservoir
131319	25612	Arm Oil Cup Oil Pad (braided cotton) for 68350
131937	25612	Arm Rock Shaft and Front Crank with 853AL, 1235F, 50505C and 131819
1309C	25612	Arm Rock Shaft Adjusting Screw
131056	25612	Arm Rock Shaft Adjusting Screw Washer
68433	25612	Arm Rock Shaft Bushing (back)
68435	25612	Arm Rock Shaft Bushing (back) Cap
131095	25612	Arm Rock Shaft Bushing (back) Cap Washer (fiber)
446AL	25612	Arm Rock Shaft Bushing (back) Set Screw
68436	25612	Arm Rock Shaft Bushing (intermediate)
423AL	25612	Arm Rock Shaft Bushing (intermediate) Set Screw
131072	25613	Arm Rock Shaft Crank, back (ball bearing) solid, with two 50083AL
50083AL	25613	Arm Rock Shaft Crank (back) Set Screw (2)
131456	25612	Arm Rock Shaft Flanged Bushing (front)
453AL	25612	Arm Rock Shaft Flanged Bushing (front) Set Screw
42365	25612	Arm Rock Shaft Oil Pad (braided cotton) for oiling Back Bearing
54969	25612	Arm Rock Shaft Oil Pad (braided cotton) for oiling Intermediate Bearing
1235F	25612	Arm Rock Shaft Oil Plug Screw
168002	25613	Arm Rotary Shaft with 168215
168003	Arm Rotary Shaft 168002 with 131930 and 168010
131366	25613	Arm Rotary Shaft Ball Bearing (back) (2)
131478	25613	Arm Rotary Shaft Ball Bearing (back) Case
131479	Arm Rotary Shaft Ball Bearing (back) Case 131478 with 131369 and three 205C
131526	Arm Rotary Shaft Ball Bearing (back) Case with Ball Bearings complete, Nos. 131479, 131480 and two 131366
131369	25613	Arm Rotary Shaft Ball Bearing (back) Case Cap
205C	25613	Arm Rotary Shaft Ball Bearing (back) Case Cap Screw (3)
131370	25613	Arm Rotary Shaft Ball Bearing (back) Case Position Stud (3)
429C	25613	Arm Rotary Shaft Ball Bearing (back) Case Set Screw
131480	25613	Arm Rotary Shaft Ball Bearing (back) Spacing Collar
131366	25613	Arm Rotary Shaft Ball Bearing (intermediate)
131481	25613	Arm Rotary Shaft Ball Bearing (intermediate) Case
1304C	25613	Arm Rotary Shaft Ball Bearing (intermediate) Case Set Screw
131482	25613	Arm Rotary Shaft Ball Bearing (intermediate) Collar with two 457AL
457AL	25613	Arm Rotary Shaft Ball Bearing (intermediate) Collar Set Screw (2)

No.	Plate	Name
131959	25613	Arm Rotary Shaft Bushing (front)
68497	25613	Arm Rotary Shaft Bushing (front) Bearing Oil Pad (wick)
*68483		Arm Rotary Shaft Bushing (front) Bracket with 761E
51422J	25613	Arm Rotary Shaft Bushing (front) Bracket Screw
131028	25613	Arm Rotary Shaft Bushing (front) Oil Plug
761E	25613	Arm Rotary Shaft Bushing (front) Position Screw
131457	25613	Arm Rotary Shaft Bushing (intermediate)
761E	25613	Arm Rotary Shaft Bushing (intermediate) Position Screw
42367	25613	Arm Rotary Shaft Bushing (intermediate) Oil Pad, lower (braided cotton)
54218	25613	Arm Rotary Shaft Bushing (intermediate) Oil Pad, upper (braided cotton)
168215	25613	Arm Rotary Shaft Oil Wick
144D	25613	Arm Rotary Shaft Screw
131276	25551	Arm Side Cover (oil vent)
131909	25551	Arm Side Cover Cap
131280	25551	Arm Side Cover Cap Position Pin
1289X	25551	Arm Side Cover Cap Screw
131910	25551	Arm Side Cover Cap Spring
131911	25551	Arm Side Cover (oil vent) complete, Nos. 1289X, 131276, 131280, 131909 and 131910
68448	25551	Arm Side Cover Gasket
1057AL	25551	Arm Side Cover Screw (4)
168255	25615	Cloth Plate
68107	25615	Cloth Plate Slide
38419	25615	Cloth Plate Slide Spring
665J	25615	Cloth Plate Slide Spring Screw (2)
68108	25615	Cloth Plate Slide complete, Nos. 38419, 68107 and two 665J
168256	25615	Cloth Plate complete, Nos. 1350C, 6465, 68108, 168255 and 168260
		NOTE: No. 168256 is regularly furnished with this machine, unless otherwise specified on order.
1011F	25615	Cloth Plate Screw (left) (2)
50473F	25615	Cloth Plate Screw (right)
*131926	25613	Crank Connecting Rod with two each 1057AL, 51715AL, 131927 and 131928
		NOTE: When No. 131926 is required for repairs, the Connecting Rod and Arm Rock Shaft Crank (back) fitted together, will be furnished. All Agency orders for this part must state the machine number for which it is required, in order to obtain correct Needle Bar Stroke.
131930		Crank Connecting Rod 131926 with 131072
131927	25613	Crank Connecting Rod Cap (lower) Screw Stud (2)
51715AL	25613	Crank Connecting Rod Cap (lower) Screw Stud Nut (2)
131928	25613	Crank Connecting Rod Cap (lower) Screw Stud Nut Lock Washer (2)
1057AL	25613	Crank Connecting Rod Cap (upper) Screw (2)
131760	25617	Face Plate (lower half)
131761	25617	Face Plate (lower half) Gasket (cork)
330J	25617	Face Plate (lower half) Screw (2)
131762	25617	Face Plate (upper half)
29234	25617	Face Plate (upper half) Position Plate
1053E	25617	Face Plate (upper half) Position Plate Screw
50190W	25617	Face Plate (upper half) Thumb Screw
168006	25618	Feed (back) Bar
168007		Feed (back) Bar complete, Nos. 1147AL, 50429AL, 68467, 168006 and two 207E
131766	25618	Feed (back) Bar Hinge Pin
889AL	25618	Feed (back) Bar Hinge Pin Set Screw
68467	25618	Feed (back) Bar Wearing Plate
207E	25618	Feed (back) Bar Wearing Plate Screw (2)
		Feed (back) Dog (See Fittings Page Nos. 23, 24, 25 and 26)

No.	Plate	Name
157J	25627	Feed (back) Dog Screw
50429AL	25618	Feed (back) Dog Stop Screw
147568	25618	Feed (front) Bar
147569	25618	Feed (front) Bar Feed Dog Seat (adjustable)
51408AL	25618	Feed (front) Bar Feed Dog Seat Screw
147570		Feed (front) Bar complete, Nos. 51408AL, 147568 and 147569
147571		Feed (front) Bar 147570 with 131769 and 131770
131769	25618	Feed (front) Bar Guide
704E	25618	Feed (front) Bar Guide Screw
131770	25618	Feed (front) Bar Slide Bar
1147AL	25618	Feed (front) Bar Slide Bar Set Screw
		Feed (front) Dog (See Fittings Page Nos. 23, 24, 25 and 26)
190J	25627	Feed (front) Dog Screw
168009	25618	Feed Bar Slide Block
131500	25613	Feed Connecting Rod with 1057AL, 68497, 134260 and two 896AL
168010		Feed Connecting Rod 131500 with 168011
896AL	25613	Feed Connecting Rod Cap Screw (2)
1057AL	25613	Feed Connecting Rod Clamping Screw
131772	25618	Feed Connecting Rod Hinge Pin (eccentric)
59343	25618	Feed Connecting Rod Hinge Pin Collar with 735AL
735AL	25618	Feed Connecting Rod Hinge Pin Collar Set Screw
68497	25613	Feed Connecting Rod Oil Pad (wick)
134260	25613	Feed Connecting Rod Oil Pad Retainer
51061AL	25613	Feed Eccentric Body Set Screw (3)
7071		Feed Eccentric Clamping Washer (2)
217J	25613	Feed Eccentric Clamping Washer Screw (2)
138306		Feed Eccentric Lubricating Pad (wood)
168011	25613	Feed Eccentric (adjustable) complete, Nos. 1103C, 138306, two each 217J, 7071 and three 51061AL
168012	25613	Feed Lifting Eccentric with three 624AL
624AL	25613	Feed Lifting Eccentric Set Screw (3)
1103C	25613	Feed Regulating Screw
131773	25618	Feed Rocking Frame with 889AL and two 1036AL
168303		Feed Rocking Frame 131773 with 61C, 704E, 1655E, 51700C, 59343, 131766, 131772, 131775, 131779, 131780, 131781, 140311C, 147571 and 168007
131775	25618	Feed Rocking Frame Hinge Pin
57235	25618	Feed Rocking Frame Hinge Pin Bushing (2)
453AL	25618	Feed Rocking Frame Hinge Pin Bushing Set Screw (2)
1036AL	25618	Feed Rocking Frame Hinge Pin Set Screw (2)
131776	25618	Gathering Feed Actuating Lever
131777	25618	Gathering Feed Actuating Lever Bracket with 175C, 910AL and two 1735C
131867	25618	Gathering Feed Actuating Lever Bracket 131777 with 359C, 1226C, 1520J, 9525, 50183F, 131776 and two 1654C
172J	25618	Gathering Feed Actuating Lever Bracket Screw (2)
50183F	25618	Gathering Feed Actuating Lever Hinge Screw
1520J	25618	Gathering Feed Actuating Lever Hinge Screw Nut
359C	25618	Gathering Feed Actuating Lever Locking Screw
1654C	25618	Gathering Feed Actuating Lever Locking Screw Lock Nut
1654C	25618	Gathering Feed Actuating Lever Locking Screw Nut
9525	25618	Gathering Feed Actuating Lever Locking Screw Washer
131778	25618	Gathering Feed Actuating Lever Spring
170C	25618	Gathering Feed Actuating Lever Spring Screw Stud (lower)
1226C	25618	Gathering Feed Actuating Lever Spring Screw Stud (upper)
910AL	25618	Gathering Feed Actuating Lever Stop Screw (lower)
1735C	25618	Gathering Feed Actuating Lever Stop Screw (lower) Nut
175C	25618	Gathering Feed Actuating Lever Stop Screw (upper)
1735C	25618	Gathering Feed Actuating Lever Stop Screw (upper) Nut
131779	25618	Gathering Feed Regulator with two 1057AL

From Needle Bar

No.	Plate	Name
1057AL	25618	Gathering Feed Regulator Clamping Screw (2)
131780	25618	Gathering Feed Regulator Connection
140311C	25618	Gathering Feed Regulator Connection Hinge Screw (back)
51700C	25618	Gathering Feed Regulator Connection Hinge Screw (back) Nut
131781	25618	Gathering Feed Regulator Connection Hinge Screw (back) Nut Washer
61C	25618	Gathering Feed Regulator Connection Hinge Screw (front)
1655E	25618	Gathering Feed Regulator Connection Hinge Screw (front) Nut
168014	25602	Looper
168015	25602	Looper 168014 with 229J and 46104
168016	25602	Looper Carrier
168208		Looper Carrier 168016 with 132583, 168019, 168020, 168021 and 168023
168238		Looper Carrier 168208 with 168017 and 168205
168017	25602	Looper Carrier Shaft with 1231E
168018	25602	Looper Carrier Shaft Crank with two 1057AL
1057AL	25602	Looper Carrier Shaft Crank Clamping Screw (2)
68497	25613	Looper Carrier Shaft Oil Pad (wick)
1231E	25602	Looper Carrier Shaft Plug Screw
1497C	25602	Looper Carrier Shaft Set Screw
168012	25613	Looper (avoiding motion) Eccentric with three 624AL
168019	25602	Looper (avoiding motion) Eccentric Connection with 223C
132583	25602	Looper (avoiding motion) Eccentric Connection Hinge Pin with 132584
132584	25602	Looper (avoiding motion) Eccentric Connection Hinge Pin Oil Wick
223C	25602	Looper (avoiding motion) Eccentric Connection Hinge Pin Set Screw
168020	25602	Looper (avoiding motion) Eccentric Connection Holder
168021	25602	Looper (avoiding motion) Eccentric Connection Holder Screw Bushing
168022	25602	Looper (avoiding motion) Eccentric Connection Holder Screw Bushing Bearing
448AL	25602	Looper (avoiding motion) Eccentric Connection Holder Screw Bushing Set Screw (2)
168023	25602	Looper (avoiding motion) Eccentric Connection Holder Thrust Bearing
624AL	25613	Looper (avoiding motion) Eccentric Set Screw (3)
168024	25602	Looper (driving) Eccentric with three 1036AL
168025	25602	Looper (driving) Eccentric Connection with two each 175C and 140159AL
168205		Looper (driving) Eccentric Connection 168025 with 50138E, 168018, 168024 and 168026
175C	25602	Looper (driving) Eccentric Connection Cap (lower) Screw (2)
140159AL	25602	Looper (driving) Eccentric Connection Cap (upper) Screw (2)
168026	25602	Looper (driving) Eccentric Connection Position Plate
50138E	25602	Looper (driving) Eccentric Connection Position Plate Screw
1036AL	25602	Looper (driving) Eccentric Set Screw (3)
168259	25615	Looper Gate
131785	25615	Looper Gate Arm
1350C	25615	Looper Gate Arm Hinge Screw
6465	25615	Looper Gate Arm Hinge Screw Friction Washer
131787	25615	Looper Gate Lock Spring
190J	25615	Looper Gate Lock Spring Screw
127784	25615	Looper Gate Lock Spring Screw Washer (2)
1094E	25615	Looper Gate Screw (3)
168260		Looper Gate complete, Nos. 190J, 131785, 131787, 168259, two 127784 and three 1094E
131504	25602	Looper Holder with 1120AL
51119J	25602	Looper Holder Screw
46104	25602	Looper Needle Guard with 46105

No.	Plate	Name
46105	25602	Looper Needle Guard Pin
229J	25602	Looper Needle Guard Screw
1120AL	25602	Looper Set Screw
131914	25613	Machine Driving Pulley, "V" belt groove (outside diam. of belt groove 2.9 in.) with two 51283AL, for 3/8 in. "V" belt
51283AL	25613	Machine Driving Pulley Set Screw (2)
131497	25617	Needle Bar (hollow)
		Needle Bar complete, (See Fittings Page Nos. 23, 24, 25 and 26)
131291	25617	Needle Bar Bushing (lower)
1133E	25617	Needle Bar Bushing (lower) Set Screw
64320	25617	Needle Bar Bushing (upper)
1133E	25617	Needle Bar Bushing (upper) Set Screw
168030	25617	Needle Bar Connecting Link
168031		Needle Bar Connecting Link 168030 with 68489 and 131492
68489	25617	Needle Bar Connecting Link Hinge Stud (hollow)
1520J	25617	Needle Bar Connecting Link Hinge Stud Nut
131270	25617	Needle Bar Connecting Link Hinge Stud Oil Pad (wick)
861C	25617	Needle Bar Connecting Link Hinge Stud Oil Plug Screw
853AL	25612	Needle Bar Connecting Link Hinge Stud Set Screw
131492	25617	Needle Bar Connecting Stud with 1492E
1492E	25617	Needle Bar Connecting Stud Clamping Screw
		Needle Clamp (See Fittings Page Nos. 23, 24, 25 and 26)
168033	25617	Needle Clamp Thread Guide
		Needle Guard (movable) (See Fittings Page Nos. 23, 24, 25 and 26)
168035	25627	Needle Guard (movable) Holder
51369E	25627	Needle Guard (movable) Holder Screw
51047C	25627	Needle Guard (movable) Screw
7071	25627	Needle Guard (movable) Screw Washer
904F	25617	Needle Set Screw (3)
68492	25562	Oil Pipe (back of arm) with 68497, for oiling Feed Rocking Frame Hinge Pin Front Bearing
68493	25562	Oil Pipe (back of arm) Clamp
176E	25562	Oil Pipe (back of arm) Clamp Screw
68494	25562	Oil Pipe (back of arm) Connection with 68495 and two 198E, for oiling Feed Rocking Frame Hinge Pin Back Bearing
198E	25562	Oil Pipe (back of arm) Connection Cap Screw (2)
68495	25562	Oil Pipe (back of arm) Connection Oil Pad (wick)
68496	25562	Oil Pipe (back of arm) Coupling
1733	25562	Oil Pipe (back of arm) Coupling Nut (brass)
68497	25562	Oil Pipe (back of arm) Oil Pad (wick)
168036	25562	Oil Pipe (front of arm, long) with two 1733
168037		Oil Pipe (front of arm, long) complete, Nos. 168036, 168038 and 168039
131004	25562	Oil Pipe (front of arm, long) Coupling (left)
131798	25562	Oil Pipe (front of arm, long) Coupling (right)
1733	25562	Oil Pipe (front of arm, long) Coupling Nut (brass) (2)
168038	25562	Oil Pipe (front of arm, long) Coupling Oil Lead with 1733 and 131003, for oiling Arm Rotary Shaft Front Bearing
168039	25562	Oil Pipe (front of arm, long) Oil Lead with 68497 and 131003, for oiling Feed Connecting Rod
131003	25562	Oil Pipe (front of arm, long) Oil Lead Connection with two 198E, for 168038 and 168039 (2)
198E	25562	Oil Pipe (front of arm, long) Oil Lead Connection Cap Screw (4)
131004	25562	Oil Pipe (front of arm, long) Oil Lead Coupling
1733	25562	Oil Pipe (front of arm, long) Oil Lead Coupling Nut (brass)
68497	25562	Oil Pipe (front of arm, long) Oil Lead Oil Pad (wick)
168040	25562	Oil Pipe (front of arm, short) with 131089 and two 1733
131004	25562	Oil Pipe (front of arm, short) Coupling (2)
1733	25562	Oil Pipe (front of arm, short) Coupling Nut (brass) (2)

No.	Plate	Name
131089		Oil Pipe (front of arm, short) Sleeve
168041	25615	Oil Splash Guard (front of arm)
331J	25615	Oil Splash Guard (front of arm) Screw (3)
168042	25615	Oil Splash Guard (side of arm)
54038	25615	Oil Splash Guard (side of arm) Holder
190J	25615	Oil Splash Guard (side of arm) Holder Screw
217J	25615	Oil Splash Guard (side of arm) Screw
131912	25617	Presser Bar (hollow)
38456	25617	Presser Bar Bushing (upper)
1133E	25617	Presser Bar Bushing (upper) Set Screw
131799	25617	Presser Bar Lifting Bracket with 453AL
11173	25617	Presser Bar Lifting Bracket Guide
453AL	25617	Presser Bar Lifting Bracket Guide Set Screw
453AL	25617	Presser Bar Lifting Bracket Set Screw
131402	25620	Presser Bar Lifting Lever
168043	25620	Presser Bar Lifting Lever Extension
161J	25620	Presser Bar Lifting Lever Extension Screw (2)
802X	25620	Presser Bar Lifting Lever Hinge Screw
131749	25551	Presser Bar Spring
131750	25551	Presser Bar Spring (auxiliary)
38468	25551	Presser Bar Spring Stud
168044	25551	Presser Bar Spring complete, Nos. 269W, 1637J, 131749, 131750 and 131752
		Presser Foot (hinged) complete (See Fittings Page Nos. 23, 24, 25 and 26)
176J	25627	Presser Foot Screw
269W	25551	Pressure Regulating Thumb Screw
1637J	25551	Pressure Regulating Thumb Screw Lock Nut
131752	25551	Pressure Regulating Thumb Screw Washer
168046	25617	Tension (thread covering) Controller Eyelet
208AL	25617	Tension (thread covering) Controller Eyelet Screw
2102	25620	Tension (thread covering) Disc (2)
51570C	25620	Tension (thread covering) Regulating Thumb Nut
32572	25620	Tension (thread covering) Releasing Disc
54988	25620	Tension (thread covering) Releasing Pin
50326C	25620	Tension (thread covering) Screw Stud
59539		Tension (thread covering) Screw Stud 50326C with 51570C
131740	25620	Tension (thread covering) Spring
59537	25620	Tension (thread covering) Spring Bushing (large)
59538	25620	Tension (thread covering) Spring Bushing (small)
54279	25620	Tension (thread covering) Thread Guide (double)
168047	25617	Tension (thread covering) Thread Guide
335J	25617	Tension (thread covering) Thread Guide Screw
2102	25620	Tension (under thread) Disc (2)
51570C	25620	Tension (under thread) Regulating Thumb Nut
140113C	25620	Tension (under thread) Screw Stud
131909		Tension (under thread) Screw Stud 140113C with 51570C
131740	25620	Tension (under thread) Spring
59537	25620	Tension (under thread) Spring Bushing (large)
59538	25620	Tension (under thread) Spring Bushing (small)
131696	25620	Tension (under thread) Thread Guide (double)
54245	25620	Tension (upper thread) Bracket
375J	25620	Tension (upper thread) Bracket Screw
2102	25620	Tension (upper thread) Disc (6)
51570C	25620	Tension (upper thread) Regulating Thumb Nut (3)
32572	25620	Tension (upper thread) Releasing Disc (3)
54988	25620	Tension (upper thread) Releasing Pin (3)
54246	25620	Tension (upper thread) Releasing Shaft
54047	25620	Tension (upper thread) Releasing Shaft Crank with 624AL
54048	25620	Tension (upper thread) Releasing Shaft Crank Link
624AL	25620	Tension (upper thread) Releasing Shaft Crank Set Screw
68261	25620	Tension (upper thread) Releasing Shaft Spring
316C	25620	Tension (upper thread) Releasing Shaft Stop Screw

No.	Plate	Name
1547J	25620	Tension (upper thread) Releasing Shaft Stop Screw Nut
50326C	25620	Tension (upper thread) Screw Stud (3)
59539		Tension (upper thread) Screw Stud 50326C with 51570C (3)
131741	25620	Tension (upper thread) Spring (3)
59537	25620	Tension (upper thread) Spring Bushing (large) (3)
59538	25620	Tension (upper thread) Spring Bushing (small) (3)
54279	25620	Tension (upper thread) Thread Guide (3)
168144	25620	Tension (upper thread) Thread Separator
168209	25617	Thread Carrying Finger
50624E	25617	Thread Carrying Finger Clamping Screw
131811	25617	Thread Carrying Finger Holder (segment) with 50624E
131812	25617	Thread Carrying Finger Holder Bracket
131868		Thread Carrying Finger Holder Bracket 131812 with 212J, 226C, 131811, 131813 and 131814
1057AL	25617	Thread Carrying Finger Holder Bracket Screw (2)
212J	25617	Thread Carrying Finger Holder Cap Screw
131813	25617	Thread Carrying Finger Holder Slide Block
226C	25617	Thread Carrying Finger Holder Slide Block Cap Screw
131814	25617	Thread Carrying Finger Holder Slide Block Crank with 171AL
171AL	25617	Thread Carrying Finger Holder Slide Block Crank Clamping Screw
131815	25617	Thread Carrying Finger Oscillating Arm (forked) and Presser Bar Bushing (lower)
131816	25617	Thread Carrying Finger Oscillating Arm Slide Block
147518		Thread Carrying Finger Oscillating Arm Slide Block 131816 with 131817 and 140645F
140645F	25617	Thread Carrying Finger Oscillating Arm Slide Block Cap Screw
131817	25617	Thread Carrying Finger Oscillating Arm Slide Block Holder with 462AL
131818	25617	Thread Carrying Finger Oscillating Arm Slide Block Holder Driving Stud
131819	25612	Thread Carrying Finger Oscillating Arm Slide Block Holder Driving Stud Bushing
50505C	25612	Thread Carrying Finger Oscillating Arm Slide Block Holder Driving Stud Bushing Set Screw
462AL	25617	Thread Carrying Finger Oscillating Arm Slide Block Holder Set Screw
131820	25617	Thread Carrying Finger Oscillating Arm Slide Block Holder Shaft
131028	25617	Thread Carrying Finger Oscillating Arm Slide Block Holder Shaft Oil Screw Plug
131821	25617	Thread Laying Finger
168048	25617	Thread Laying Finger Holder with 1057AL and two 50370AL
1057AL	25617	Thread Laying Finger Holder Clamping Screw
50370AL	25617	Thread Laying Finger Set Screw (2)
53225	25620	Thread (under) Eyelet (back)
190J	25620	Thread (under) Eyelet (back) Screw
168049	25613	Thread (under) Nipper Cam with 889AL
889AL	25613	Thread (under) Nipper Cam Set Screw
38210	25622	Thread (under) Nipper Spring (lower)
168050	25622	Thread (under) Nipper Spring (upper)
46247	25622	Thread (under) Nipper Spring (upper) Stop
176J	25622	Thread (under) Nipper Spring Screw
168051	25613	Thread (under) Take-up (left) with three 50150AL
50150AL	25613	Thread (under) Take-up (left) Set Screw (3)
168052	25622	Thread (under) Take-up (left) Stripper
168053	25622	Thread (under) Take-up (left) Stripper Bracket
176J	25622	Thread (under) Take-up (left) Stripper Bracket Screw (2)
51323J	25622	Thread (under) Take-up (left) Stripper Screw
17022	25622	Thread (under) Take-up (left) Stripper Screw Washer

No.	Plate	Name
168225	25622	Thread (under) Take-up (left) Thread Guide (left).....
168226	25622	Thread (under) Take-up (left) Thread Guide (right).....
140180J	25622	Thread (under) Take-up (left) Thread Guide Screw (2).....
7071	25622	Thread (under) Take-up (left) Thread Guide Screw Washer (2).....
168056	25613	Thread (under) Take-up (right).....
220E	25613	Thread (under) Take-up (right) Screw (2).....
168057	25622	Thread (under) Take-up (right) Stripper.....
168058	25622	Thread (under) Take-up (right) Stripper Bracket.....
207J	25622	Thread (under) Take-up (right) Stripper Bracket Screw (2).....
236J	25622	Thread (under) Take-up (right) Stripper Screw (2).....
168065	25622	Thread (under) Take-up (right) Thread Guide.....
50231W	Thread (under) Take-up (right) Thread Guide Screw.....
17022	Thread (under) Take-up (right) Thread Guide Screw Washer.....
168059	25622	Thread (under) Take-up Stripper Plate.....
131411	25622	Thread (under) Take-up Stripper Plate Bracket.....
168227	25622	Thread (under) Take-up Stripper Plate Bracket 131411 with 38210, 46247, 50231W, 51323J, 168050, 168052, 168053, 168057, 168058, 168059, 168065, 168225, 168226, two each 207J, 236J, 7071, 17022, 140180J and three 176J.....
965D	25622	Thread (under) Take-up Stripper Plate Bracket Screw.....
168061	25620	Thread (upper) Eyelet.....
190J	25620	Thread (upper) Eyelet Screw.....
7071	25620	Thread (upper) Eyelet Screw Washer.....
168130	25617	Thread (upper) Take-up with 223J.....
223J	25617	Thread (upper) Take-up Clamping Screw.....
168045	25620	Thread (upper) Take-up (auxiliary).....
131496	25620	Thread (upper) Take-up (auxiliary) Clamp.....
997J	25620	Thread (upper) Take-up (auxiliary) Clamp Screw.....
742F	25627	Throat Plate (See Fittings Page Nos. 23, 24, 25 and 26) Throat Plate Screw (2).....

FITTINGS FOR MACHINE No. 247-2

SOLID TUBE BORDERS

For 1/8 in. to 1/4 in. Gauges

168272	25623	Feed (back) Dog, 14 teeth (16 teeth to the inch) for 1/8 in. and 5/32 in. gauges, for 168273.....
168283	25624	Feed (back) Dog, 14 teeth (16 teeth to the inch) for 3/16 in., 7/32 in. and 1/4 in. gauges, for 168302.....
168282	25623	Feed (front) Dog, 7 teeth (16 teeth to the inch) for 1/8 in. and 5/32 in. gauges, for 168273.....
168284	25624	Feed (front) Dog, 7 teeth (16 teeth to the inch) for 3/16 in., 7/32 in. and 1/4 in. gauges, for 168302.....
131497	25623	Needle Bar (hollow).....
168170	25623	Needle Clamp with two 50014F, for 1/8 in. to 1/4 in. gauges.....
168033	25623	Needle Clamp Thread Guide for 168169.....
168169	25623	Needle Bar complete, for 1/8 in. to 1/4 in. gauges, Nos. 131497, 168033 and 168170.....
168034	25623	Needle Guard (movable).....
50014F	25623	Needle Set Screw (2).....
26276	25623	Presser Foot Hinge Pin.....
131800	25623	Presser Foot Plate.....
131801	25623	Presser Foot Roller.....
147547	25623	Presser Foot Roller Hinge Pin.....
46087	25623	Presser Foot Shank.....

No.	Plate	Name
131802	25623	Presser Foot (hinged) with Roller complete, for Solid Tube Borders, for 1/8 in. to 1/4 in. gauges, Nos. 26276, 46087, 131800, 131801 and 147547.....
168273	25623	Throat Plate for 1/8 in. and 5/32 in. gauges, for 168272 and 168282.....
168302	25624	Throat Plate for 3/16 in., 7/32 in. and 1/4 in. gauges, for 168283 and 168284.....

FITTINGS FOR MACHINE No. 247-2

SPLIT TUBE BORDERS

1/8 in. to 1/4 in. Gauges

168272	25625	Feed (back) Dog, 14 teeth (16 teeth to the inch) for 1/8 in. and 5/32 in. gauges, for 168273.....
168283	25626	Feed (back) Dog, 14 teeth (16 teeth to the inch) for 3/16 in., 7/32 in. and 1/4 in. gauges, for 168302.....
168282	25625	Feed (front) Dog, 7 teeth (16 teeth to the inch) for 1/8 in. and 5/32 in. gauges, for 168273.....
168284	25626	Feed (front) Dog, 7 teeth (16 teeth to the inch) for 3/16 in., 7/32 in. and 1/4 in. gauges, for 168302.....
131497	25625	Needle Bar (hollow).....
168170	25625	Needle Clamp with two 50014F, for 1/8 in. to 1/4 in. gauges.....
168033	25625	Needle Clamp Thread Guide for 168169.....
168169	25625	Needle Bar complete, for 1/8 in. to 1/4 in. gauges, Nos. 131497, 168033 and 168170.....
168034	25625	Needle Guard (movable).....
50014F	25625	Needle Set Screw (2).....
26276	25625	Presser Foot Hinge Pin.....
131803	25625	Presser Foot Plate (left).....
131804	25625	Presser Foot Plate (left) Lock Spring.....
109J	25625	Presser Foot Plate (left) Lock Spring Screw.....
54865	25625	Presser Foot Plate (left) Lock Spring Screw Friction Washer.....
131805	25625	Presser Foot Plate (right).....
131806	25625	Presser Foot Shank.....
131807	25625	Presser Foot (hinged) complete, for Split Tube Borders, for 1/8 in. to 1/4 in. gauges Nos. 109J, 26276, 54865, 131803, 131804, 131805 and 131806.....
168273	25625	Throat Plate for 1/8 in. and 5/32 in. gauges, for 168272 and 168282.....
168302	25626	Throat Plate for 3/16 in., 7/32 in. and 1/4 in. gauges, for 168283 and 168284.....

FITTINGS FOR MACHINE No. 247-3

FOR JOINING CUFF AND ANKLE PIECES TO KNIT UNDERWEAR

3/32 in. - 3/32 in., and 1/8 in. - 1/8 in. Gauges

NOTE: The following parts are regularly furnished with this machine, unless otherwise specified on order.		
168257	25627	Feed (back) Dog, 12 teeth (16 teeth to the inch) for 53173..
168258	25627	Feed (front) Dog, 10 teeth (16 teeth to the inch) for 53173..
131497	25627	Needle Bar (hollow).....
168206	25627	Needle Bar complete, Nos. 131497, 168033 and 168207....
168207	25627	Needle Clamp with three 904F.....
168033	25627	Needle Clamp Thread Guide.....
168243	25627	Needle Guard (movable).....
904F	25627	Needle Set Screw (3).....

No.	Plate	Name
26276	25627	Presser Foot Hinge Pin.....
53169	25627	Presser Foot Plate.....
46087	25627	Presser Foot Shank.....
53170	25627	Presser Foot (hinged) complete, Nos. 26276, 46087 and 53169.....
53173	25627	Throat Plate for 168257 and 168258.....

EDGE GUIDES FOR MACHINE No. 247-3

36649	25627	Edge Guide for Cuffs and Anklets.....
36650	25627	Edge Guide for Collarettes.....
1443J	25627	Edge Guide Screw (2).....

FITTINGS FOR MACHINE No. 247-3

FOR HEMMING KNIT GOODS

3/32 in. - 3/32 in. and 1/8 in. - 1/8 in Gauges

168216	25628	Cloth Plate.....
68107	25628	Cloth Plate Slide.....
38419	25628	Cloth Plate Slide Spring.....
665J	25628	Cloth Plate Slide Spring Screw (2).....
68108	25628	Cloth Plate Slide complete, Nos. 38419, 68107 and two 665J.....
168217	25628	Cloth Plate complete, Nos. 1350C, 6465, 68108, 168214 and 168216.....
168220	25628	Feed (back) Dog, 12 teeth (16 teeth to the inch) for 168228
168221	25628	Feed (front) Dog, 9 teeth (16 teeth to the inch) for 168228
168213	25628	Looper Gate.....
131785	25628	Looper Gate Arm.....
1350C	25628	Looper Gate Arm Hinge Screw.....
6465	25628	Looper Gate Arm Hinge Screw Friction Washer.....
131787	25628	Looper Gate Lock Spring.....
190J	25628	Looper Gate Lock Spring Screw.....
127784	25628	Looper Gate Lock Spring Screw Washer (2).....
1094E	25628	Looper Gate Screw (3).....
168214	Looper Gate complete, Nos. 190J, 131785, 131787, 168213, two 127784 and three 1094E.....
131497	25628	Needle Bar (hollow).....
168206	25628	Needle Bar complete, Nos. 131497, 168033 and 168207.....
168207	25628	Needle Clamp with three 904F.....
168033	25628	Needle Clamp Thread Guide.....
168243	25628	Needle Guard (movable).....
904F	25628	Needle Set Screw (3).....
168222	25628	Presser Foot Compensating Plate.....
1449F	25628	Presser Foot Compensating Plate Hinge Screw (2).....
24701	25628	Presser Foot Compensating Plate Spring (2).....
26276	25628	Presser Foot Hinge Pin.....
168223	25628	Presser Foot Plate.....
54411	25628	Presser Foot Shank with 460AL and 50429AL.....
50429AL	25628	Presser Foot Shank Adjusting Screw.....
460AL	25628	Presser Foot Shank Adjusting Screw Set Screw.....
168224	25628	Presser Foot (compensating, hinged) complete, Nos. 26276, 54411, 168222, 168223 and two each 1449F and 24701.....
168228	25628	Throat Plate for 168220 and 168221.....

FITTINGS FOR MACHINE No. 247-3

SOLID TUBE BORDERS

3/32 in. - 3/32 in. and 1/8 in. - 1/8 in. Gauges

No.	Plate	Name
168257	25629	Feed (back) Dog, 12 teeth (16 teeth to the inch) for 53173..
168258	25629	Feed (front) Dog, 10 teeth (16 teeth to the inch) for 53173..
131497	25629	Needle Bar (hollow).....
168206	25629	Needle Bar complete, Nos. 131497, 168033 and 168207....
168207	25629	Needle Clamp with three 904F.....
168033	25629	Needle Clamp Thread Guide.....
168243	25629	Needle Guard (movable).....
904F	25629	Needle Set Screw (3).....
26276	25629	Presser Foot Hinge Pin.....
131800	25629	Presser Foot Plate.....
131801	25629	Presser Foot Roller.....
147547	25629	Presser Foot Roller Hinge Pin.....
46087	25629	Presser Foot Shank.....
131802	25629	Presser Foot (hinged) with Roller complete, Nos. 26276, 46087, 131800, 131801 and 147547.....
53173	25629	Throat Plate for 168257 and 168258.....

FITTINGS FOR MACHINE No. 247-3

SPLIT TUBE BORDERS

3/32 in. - 3/32 in. and 1/8 in. - 1/8 in. Gauges

168255	25630	Cloth Plate.....
68107	25630	Cloth Plate Slide.....
38419	25630	Cloth Plate Slide Spring.....
665J	25630	Cloth Plate Slide Spring Screw (2).....
68108	25630	Cloth Plate Slide complete, Nos. 38419, 68107 and two 665J.....
168261	25630	Cloth Plate complete, Nos. 68108, 121678, 140594C, 168255 and 168265.....
168257	25630	Feed (back) Dog, 12 teeth (16 teeth to the inch) for 168271
168262	25630	Feed (front) Dog, 10 teeth (16 teeth to the inch) for 168271
168263	25630	Looper Gate.....
168264	25630	Looper Gate Arm with 1277E.....
140594C	25630	Looper Gate Arm Hinge Screw.....
121678	25630	Looper Gate Arm Spring.....
1277E	25630	Looper Gate Arm Stop Screw.....
1094E	25630	Looper Gate Screw (3).....
168265	Looper Gate complete, Nos. 168263, 168264 and three 1094E.....
131497	25630	Needle Bar (hollow).....
168206	25630	Needle Bar complete, Nos. 131497, 168033 and 168207....
168207	25630	Needle Clamp with three 904F.....
168033	25630	Needle Clamp Thread Guide.....
168243	25630	Needle Guard (movable).....
904F	25630	Needle Set Screw (3).....
168266	25630	Presser Foot Chaining-off Plate.....
68098	25630	Presser Foot Chaining-off Plate Collar with 906AL.....
906AL	25630	Presser Foot Chaining-off Plate Collar Set Screw.....
8282	Presser Foot Chaining-off Plate Spring (2).....
26276	25630	Presser Foot Hinge Pin.....
168267	25630	Presser Foot Plate (left).....
131804	25630	Presser Foot Plate (left) Lock Spring.....
109J	25630	Presser Foot Plate (left) Lock Spring Screw.....
54865	25630	Presser Foot Plate (left) Lock Spring Screw Friction Washer..
168268	25630	Presser Foot Plate (right).....

From the Library of Diamond Needle Corp

No.	Plate	Name
168269	25630	Presser Foot Shank.....
168270	25630	Presser Foot (spring hinged with chaining-off plate) complete, Nos. 109J, 26276, 54865, 68098, 131804, 168266, 168267, 168268, 168269 and two 8282.....
168271	25630	Throat Plate for 168257 and 168262.....

ACCESSORIES

120344	25631	Oiler (copper plated) with 120345.....
120345	25631	Oiler Spout, 4-1/2 in. long.....
120440	25631	Screw Driver (large).....
121108	25631	Screw Driver (small).....
120341	25631	Tweezers (curved).....
17905	25631	Wrench.....
8908	25631	Wrench.....
42089	25631	Wrench.....

BELT GUARD

168063	25573	Belt Guard with two wood screws 3/4 in. No. 12 R.H.....
--------	-------	---

CORD HOLDER OR LACE HOLDER

160596	25632	Base with 200383C.....
160782	25632	Rod.....
200383C	25632	Rod Set Screw.....
41833	25632	Spindle.....
41834	25632	Spindle Bracket with 446AL and 448AL.....
446AL	25632	Spindle Bracket Set Screw.....
41875	25632	Spindle Cone (inside) with 249J.....
249J	25632	Spindle Cone (inside) Set Screw.....
13211	25632	Spindle Cone (inside) Spring.....
41876	25632	Spindle Cone (outside) with 793J.....
793J	25632	Spindle Cone (outside) Set Screw.....
448AL	25632	Spindle Cone Set Screw.....
160783	25632	Cord Holder or Lace Holder complete, Nos. 13211, 41833, 41834, 41875, 41876, 160596, 160782 and three wood screws 3/4 in. No. 12 F.H.....

EDGE GUIDE

FOR SPLIT TUBE BORDERS

121770	25633	Edge Guide for use with Transverse Binder.....
160281	25633	Edge Guide Seat for use with Transverse Binder.....
742F	25633	Edge Guide Seat Screw (2).....
140360W	25633	Edge Guide Thumb Screw.....
42290	25633	Edge Guide Thumb Screw Washer.....

EDGE GUIDE

FOR SOLID TUBE BORDERS

121772	25633	Edge Guide for use with Tube Guide.....
121773	25633	Edge Guide Bracket.....

No.	Plate	Name
89F	25633	Edge Guide Bracket Hinge Screw.....
127173	25633	Edge Guide Bracket Hinge Screw Friction Washer.....
160282	25633	Edge Guide Seat for use with Tube Guide.....
742F	25633	Edge Guide Seat Screw (2).....
217J	25633	Edge Guide Screw.....
7071	25633	Edge Guide Screw Washer.....
121847	25633	Edge Guide complete, Nos. 89F, 217J, 7071, 121772, 121773 and 127173.....

FOOT LIFTER PARTS

6439	Chain, 36 in. to 45 in., with 56864 and 56865 (2).....
NOTE:	When ordering No. 6439, state length required.
4879	Chain Connecting Link (2).....
56864	Chain Hook (large) (2).....
56865	Chain Hook (small) (2).....
126249	Treadle (2).....
4882	Treadle Shaft (2).....
126250	Treadle Spring (2).....
150451	Treadle Stand (2).....
150452	Treadle complete, Nos. 4879, 4882, 126249, 126250, 150451 and two wood screws 1 in. No. 16 (2).....

KNEE LIFTER PARTS

NOTE:	Knee Lifter Parts are not regularly furnished with this machine. If required they must be specified on order.
37563	Chain, length 15 in., with 56864 and 56865.....
56864	Chain Hook (large).....
56865	Chain Hook (small).....
2763	Rock Shaft.....
12242	Rock Shaft Hanger with two wood screws 1 in. No. 10 (2).....
6335	Rock Shaft Knee Arm.....
6336	Rock Shaft Knee Arm complete, Nos. 2766, 2767 and 6335.....
2766	Rock Shaft Knee Arm Hub with 356C.....
356C	Rock Shaft Knee Arm Hub Set Screw.....
2767	Rock Shaft Knee Plate with 356C.....
356C	Rock Shaft Knee Plate Set Screw.....
6337	Rock Shaft Lifting Bracket with two 356C.....
7125	Rock Shaft Lifting Bracket Hook.....
356C	Rock Shaft Lifting Bracket Hook Set Screw.....
2770	Rock Shaft Lifting Bracket Set Screw.....
140219C	Rock Shaft Stop Dog with 140219C.....
23767	Rock Shaft Stop Dog Set Screw.....
25573	Rock Shaft complete, Nos. 2763, 2770, 6336, 6337, 7125 and two 12242.....

MACHINE BASE

131263	21038	Machine Base.....
54477	21038	Machine Base Screw Stud, to fasten base to table (3).....
131205	21038	Machine Base Screw Stud to position machine on base (4).....
51576E	21038	Machine Base Screw Stud Nut (3).....
9842	21038	Machine Base Screw Stud Nut Washer (3).....
131022	21038	Machine Base Screw Stud Bushing (rubber) (4).....
131279	21038	Machine Cushion (felt) (4).....
131264	21038	Machine Base complete, Nos. 131263, three each 9842, 51576E, 54477 and four each 131205 and 131279.....
131328	21038	Machine Base and Oil Drain Jar (swinging type) complete, Nos. 131264 and 131268.....

From the Library of Diane Needle Club

MACHINE BASE OIL DRAIN JAR (SWINGING TYPE)

No.	Plate	Name
131961	21038	Jar (glass) 2-1/8 in. diam. at mouth.....
131962	21038	Jar Cap (diam. of recess for Jar 2-7/16 in.).....
131188	21038	Jar Clamp.....
131217	Jar Clamp 131188 with 131189.....
131189	21038	Jar Clamp Lever.....
1247C	21038	Jar Clamp Lever Hinge Screw (2).....
131265	21038	Nipple (long) (2).....
131266	21038	Nipple (short).....
131267	21038	Nipple Elbow (2).....
131268	21038	Machine Base Oil Drain Jar (swinging type) complete, Nos. 131217, 131266, 131961, 131962 and two each 1247C, 131265 and 131267.....

MATERIAL GUARD

168064	25634	Material Guard with two wood screws 1 in. No. 10 R.H.B.....
--------	-------	---

STRIP GAUGE (Graduated)

121962	25633	Strip Gauge (graduated).....
121963	25633	Strip Gauge Indicator with 671J and 9525.....
671J	25633	Strip Gauge Indicator Thumb Screw.....
9525	25633	Strip Gauge Indicator Thumb Screw Washer.....
121964	25633	Strip Gauge Supporting Rod with 1655J.....
121777	25633	Strip Gauge Supporting Rod Holder with 736J and three wood screws 1 in. No. 12 F.H.....
736J	25633	Strip Gauge Supporting Rod Holder Thumb Screw.....
1655J	25633	Strip Gauge Supporting Rod Nut.....
1011F	25633	Strip Gauge Screw.....
121965	25633	Strip Gauge (graduated) complete, Nos. 1011F, 121777, 121962, 121963 and 121964.....

TUBE GUIDE

FOR SOLID TUBE BORDERS

121779	25633	Tube Guide Body with two 51015AL.....
121780	25633	Tube Guide Bracket.....
190B	25633	Tube Guide Bracket Screw.....
7071	25633	Tube Guide Bracket Screw Washer.....
51015AL	25633	Tube Guide Bracket Stud Set Screw (2).....
121781	25633	Tube Guide Edge Guide (adjustable).....
50253B	25633	Tube Guide Edge Guide Screw.....
7071	25633	Tube Guide Edge Guide Screw Washer.....
121782	25633	Tube Guide Tension Plate.....
50096B	25633	Tube Guide Tension Plate Thumb Screw.....
121783	25633	Tube Guide Tension Plate Thumb Screw Spring.....
121784	25633	Tube Guide complete, Nos. 190B, 50096B, 50253B, 121779, 121780, 121781, 121782, 121783 and two 7071.....

TRANSVERSE BINDER ON SHANK FOR SPLIT TUBE BORDERS

No.	Plate	Name
121790	25633	Transverse Binder on Shank.....
121791	25633	Transverse Binder Bracket.....
1263K	25633	Transverse Binder Bracket Adjusting Thumb Screw.....
121792	25633	Transverse Binder Bracket Holder.....
1094F	25633	Transverse Binder Bracket Holder Screw (2).....
1350C	25633	Transverse Binder Bracket Screw.....
6465	25633	Transverse Binder Bracket Screw Friction Washer.....
121793	Transverse Binder Bracket complete, Nos. 1263K, 1350C, 6465, 121791 and 121792.....
140360W	25633	Transverse Binder Thumb Screw.....
42290	25633	Transverse Binder Thumb Screw Washer.....
121794	25633	Transverse Binder on Shank complete, Nos. 42290, 121790, 121793, 140360W and two 1094F.....

TAPE DISC GUIDE COMPLETE

FOR SPLIT TUBE BORDERS

121786	25635	Tape Disc Tape Guide Block.....
26064	25635	Tape Disc Tape Guide Foot with 736J and three wood screws 1 in. No. 12 F.H.....
736J	25635	Tape Disc Tape Guide Stud Set Screw.....
121787	25635	Tape Disc Tape Guide complete, Nos. 26064 and 121786.....

TAPE HOLDER FOR SPLIT TUBE BORDERS

120675	25636	Tape Disc.....
120677	25636	Tape Disc Screw Stud.....
160784	25636	Tape Disc Screw Stud Holder.....
259658	25636	Tape Disc Screw Stud Holder Base with 200383C.....
200383C	25636	Tape Disc Screw Stud Holder Base Set Screw.....
160785	25636	Tape Holder complete, Nos. 120675, 120677, 160784, 259658 and three wood screws 3/4 in. No. 12 F.H.....

THREAD UNWINDER FOR MACHINE No. 247-2

(FOR FOUR SPOOLS)

151032	25637	Base with 138R and three wood screws 1 in. No. 12 F.H.....
225257	25637	Spool Rest with 201018C and two each 201528X, 228692 and 228693 (2).....
228692	25637	Spool Pin (4).....
201528X	Spool Pin Nut (4).....
228693	Spool Pin Washer (4).....
151033	25637	Spool Rest Bracket.....
151034	25637	Spool Rest Bracket Rod.....
138R	25637	Spool Rest Bracket Rod Set Screw.....
51276R	Spool Rest Bracket Screw.....
150203	25637	Spool Rest Cushion (felt) (4).....
201018C	Spool Rest Set Screw (2).....
151035	25637	Thread Guide (4).....
1521R	Thread Guide Nut (8).....
9525	Thread Guide Nut Washer (8).....
151037	25637	Thread Unwinder complete, Nos. 51276R, 151032, 151033, 151034, two 225257, four each 150203, 151035 and eight each 1521R and 9525.....

From the Property of: Diamond Needle Corp

THREAD UNWINDER FOR MACHINE No. 247-3

(FOR FIVE SPOOLS)

No.	Plate	Name
151032	25638	Base with 138R and three wood screws 1 in. No. 12 F.H.....
225259	25638	Spool Rest with 201018C, 201528X, 228692 and 228693, for one spool.....
225257	25638	Spool Rest with 201018C and two each 201528X, 228692 and 228693 (2).....
228692	25638	Spool Pin (5).....
201528X	Spool Pin Nut (5).....
228693	Spool Pin Washer (5).....
151039	25638	Spool Rest Bracket.....
151034	25638	Spool Rest Bracket Rod.....
138R	25638	Spool Rest Bracket Rod Set Screw.....
150203	25638	Spool Rest Cushion (felt) (5).....
1395R	25638	Spool Rest Screw (for center Spool Rest).....
201018C	Spool Rest Set Screw (3).....
151035	25638	Thread Guide (5).....
1521R	Thread Guide Nut (10).....
9525	Thread Guide Nut Washer (10).....
151093	25638	Thread Unwinder complete, Nos. 1395R, 151032, 151034, 151039, 225259, two 225257, five each 150203, 151035 and ten each 1521R and 9525.....

SINGER Needles should be used
in SINGER Machines
These Needles and their Containers
are marked with the
Company's Trade Mark "SIMANCO.**" 1

Needles in Containers marked
"FOR SINGER MACHINES"
are NOT SINGER made needles. 2

NUMERICAL LIST OF PARTS

No.	Plate	Name
61C	25618	Gathering Feed Regulator Connection Hinge Screw (front) for 168303.....
89F	25633	Edge Guide Bracket Hinge Screw for 121847.....
109J	25625	Presser Foot Plate (left) Lock Spring Screw for 131807 and 168270.....
138R	25637	Thread Unwinder Spool Rest Bracket Rod Set Screw for 151032.....
144D	25613	Arm Rotary Shaft Screw.....
157J	25623	Feed (back) Dog Screw.....
161J	25619	Presser Bar Lifting Lever Extension Screw (2).....
170C	25618	Gathering Feed Actuating Lever Spring Screw Stud (lower).....
171A1	25616	Thread Carrying Finger Holder Slide Block Crank Clamping Screw for 131814.....
172J	25618	Gathering Feed Actuating Lever Bracket Screw (2).....
175C	25618	Gathering Feed Actuating Lever Stop Screw (upper) for 131777.....
175C	25602	Looper (driving) Eccentric Connection Cap (lower) Screw for 168025 (2).....
176E	25562	Oil Pipe (back of arm) Clamp Screw.....
176J	25623	Presser Foot Screw.....
176J	25621	Thread (under) Nipper Spring Screw for 168060 and 168227.....
176J	25621	Thread (under) Take-up (left) Stripper Bracket Screw for 168060 and 168227 (2).....
190J	25623	Feed (front) Dog Screw.....
190J	25615	Looper Gate Lock Spring Screw for 168214 and 168260.....
190J	25614	Oil Splash Guard (side of arm) Holder Screw.....
190J	25619	Thread (under) Eyelet (back) Screw.....
190J	25619	Thread (upper) Eyelet Screw.....
190B	25633	Tube Guide Bracket Screw for 121784.....
198E	25562	Oil Pipe (back of arm) Connection Cap Screw for 68494 (2).....
198E	25562	Oil Pipe (front of arm, long) Oil Lead Connection Cap Screw for 131003 (4).....
205C	25613	Arm Rotary Shaft Ball Bearing (back) Case Cap Screw for 131479 (3).....
207E	25618	Feed (back) Bar Wearing Plate Screw for 168007 (2).....
207J	25621	Thread (under) Take-up (right) Stripper Bracket Screw for 168060 and 168227 (2).....
208A1	25616	Tension (thread covering) Controller Eyelet Screw.....
212J	25616	Thread Carrying Finger Holder Cap Screw for 131868.....
217J	25633	Edge Guide Screw for 121847.....
217J	25613	Feed Eccentric Clamping Washer Screw for 168011 (2).....
217J	25614	Oil Splash Guard (side of arm) Screw.....
220E	25613	Thread (under) Take-up (right) Screw (2).....
223C	25602	Looper (avoiding motion) Eccentric Connection Hinge Pin Set Screw for 168019.....
223J	25616	Thread (upper) Take-up Clamping Screw for 168130.....
226C	25616	Thread Carrying Finger Holder Slide Block Cap Screw for 131868.....
229J	25602	Looper Needle Guard Screw for 168015.....
236J	25621	Thread (under) Take-up (right) Stripper Screw for 168060 and 168227 (2).....
249J	25632	Cord Holder or Lace Holder Spindle Cone (inside) Set Screw for 41875.....
269W	25551	Pressure Regulating Thumb Screw for 168044.....
316C	25619	Tension (upper thread) Releasing Shaft Stop Screw.....
330J	25616	Face Plate (lower half) Screw (2).....
331J	25614	Oil Splash Guard (front of arm) Screw (3).....
335J	25616	Tension (thread covering) Thread Guide Screw.....
356C	25573	Knee Lifter Rock Shaft Knee Arm Hub Set Screw for 2766.....
356C	25573	Knee Lifter Rock Shaft Knee Plate Set Screw for 2767.....

No.	Plate	Name
356C	25573	Knee Lifter Rock Shaft Lifting Bracket Hook Set Screw for 6337
356C	25573	Knee Lifter Rock Shaft Lifting Bracket Set Screw for 6337
359C	25618	Gathering Feed Actuating Lever Locking Screw for 131867
376J	25619	Tension (upper thread) Bracket Screw
423AL	25612	Arm Rock Shaft Bushing (intermediate) Set Screw
429C	25613	Arm Rotary Shaft Ball Bearing (back) Case Set Screw
446AL	25612	Arm Rock Shaft Bushing (back) Set Screw
446AL	25632	Cord Holder or Lace Holder Spindle Bracket Set Screw for 41834
448AL	25632	Cord Holder or Lace Holder Spindle Cone Set Screw for 41834
448AL	25602	Looper (avoiding motion) Eccentric Connection Holder Screw Bushing Set Screw (2)
453AL	25612	Arm Rock Shaft Flanged Bushing (front) Set Screw
453AL	25618	Feed Rocking Frame Hinge Pin Bushing Set Screw (2)
453AL	25616	Presser Bar Lifting Bracket Guide Set Screw
453AL	25616	Presser Bar Lifting Bracket Set Screw for 131799
457AL	25613	Arm Rotary Shaft Ball Bearing (intermediate) Collar Set Screw for 131482 (2)
460AL	25628	Presser Foot Shank Adjusting Screw Set Screw for 54411
462AL	25616	Thread Carrying Finger Oscillating Arm Slide Block Holder Set Screw for 131817
624AL	25613	Feed Lifting Eccentric Set Screw for 168012 (3)
624AL	25613	Looper (avoiding motion) Eccentric Set Screw for 168012 (3)
624AL	25619	Tension (upper thread) Releasing Shaft Crank Set Screw for 54047
665J	25614	Cloth Plate Slide Spring Screw for 68108 (2)
671J	25633	Strip Gauge Indicator Thumb Screw for 121963
704E	25618	Feed (front) Bar Guide Screw for 168303
735AL	25618	Feed Connecting Rod Hinge Pin Collar Set Screw for 59343
736J	25633	Strip Gauge Supporting Rod Holder Thumb Screw for 121777
736J	25635	Tape Disc Tape Guide Stud Set Screw for 26064
742F	25633	Edge Guide Seat Screw (2)
742F	25623	Throat Plate Screw (2)
761E	25613	Arm Rotary Shaft Bushing (front) Position Screw for 68483
761E	25613	Arm Rotary Shaft Bushing (intermediate) Position Screw
793J	25632	Cord Holder or Lace Holder Spindle Cone (outside) Set Screw for 41876
802X	25619	Presser Bar Lifting Lever Hinge Screw
853AL	25612	Needle Bar Connecting Link Hinge Stud Set Screw for 131937
861C	25616	Needle Bar Connecting Link Hinge Stud Oil Plug Screw
889AL	25618	Feed (back) Bar Hinge Pin Set Screw for 131773
889AL	25613	Thread (under) Nipper Cam Set Screw for 168049
895AL	25613	Feed Connecting Rod Cap Screw for 131500 (2)
904F	25617	Needle Set Screw for 168207 (3)
906AL	25630	Presser Foot Chaining-off Plate Collar Set Screw for 68098
910AL	25618	Gathering Feed Actuating Lever Stop Screw (lower) for 131777
955D	25621	Thread (under) Take-up Stripper Plate Bracket Screw
997J	25619	Thread (upper) Take-up (auxiliary) Clamp Screw
1011F	25614	Cloth Plate Screw (left) (2)
1011F	25633	Strip Gauge Screw for 121965
1036AL	25618	Feed Rocking Frame Hinge Pin Set Screw for 131773 (2)
1036AL	25602	Looper (driving) Eccentric Set Screw for 168024 (3)
1053E	25616	Face Plate (upper half) Position Plate Screw
1057AL	25551	Arm Bottom Cover Screw (4)
1057AL	25551	Arm Side Cover Screw (4)
1057AL	25613	Crank Connecting Rod Cap (upper) Screw for 131926 (2)
1057AL	25613	Feed Connecting Rod Clamping Screw for 131500

No.	Plate	Name
1057AL	25618	Gathering Feed Regulator Clamping Screw for 131779 (2)
1057AL	25602	Looper Carrier Shaft Crank Clamping Screw for 168018 (2)
1057AL	25616	Thread Carrying Finger Holder Bracket Screw (2)
1057AL	25616	Thread Laying Finger Holder Clamping Screw for 168048
1094E	25614	Looper Gate Screw for 168214, 168260 and 168265 (3)
1094F	25633	Transverse Binder Bracket Holder Screw for 121794 (2)
1103C	25613	Feed Regulating Screw for 168011
1120AL	25602	Looper Set Screw for 131504
1133E	25616	Needle Bar Bushing (lower) Set Screw
1133E	25616	Needle Bar Bushing (upper) Set Screw
1133E	25616	Presser Bar Bushing (upper) Set Screw
1147AL	25618	Feed (front) Bar Slide Bar Set Screw for 168007
1226C	25618	Gathering Feed Actuating Lever Spring Screw Stud (upper) for 131867
1231E	25602	Looper Carrier Shaft Plug Screw for 168017
1235F	25612	Arm Rock Shaft Oil Plug Screw for 131937
1247C	21038	Machine Base Oil Drain Jar Clamp Lever Hinge Screw for 131268 (2)
1263K	25633	Transverse Binder Bracket Adjusting Thumb Screw for 121793
1277E	25614	Looper Gate Arm Stop Screw for 168264
1289X	25551	Arm Side Cover Cap Screw for 131911
1304C	25613	Arm Rotary Shaft Ball Bearing (intermediate) Case Set Screw
1309C	25612	Arm Rock Shaft Adjusting Screw
1350C	25615	Looper Gate Arm Hinge Screw for 168217 and 168256
1350C	25633	Transverse Binder Bracket Screw for 121793
1395R	25638	Thread Unwinder Spool Rest Screw (for center Spool Rest) for 151093
1443J	25627	Edge Guide Screw (2)
1449F	25628	Presser Foot Compensating Plate Hinge Screw for 168224 (2)
1492E	25616	Needle Bar Connecting Stud Clamping Screw for 131492
1497C	25602	Looper Carrier Shaft Set Screw
1520J	25618	Gathering Feed Actuating Lever Hinge Screw Nut for 131867
1520J	25616	Needle Bar Connecting Link Hinge Stud Nut
1521R		Thread Unwinder Thread Guide Nut for 151037 and 151093
1547J	25619	Tension (upper thread) Releasing Shaft Stop Screw Nut
1637J	25551	Pressure Regulating Thumb Screw Lock Nut for 168044
1654C	25618	Gathering Feed Actuating Lever Locking Screw Lock Nut for 131867
1654C	25618	Gathering Feed Actuating Lever Locking Screw Nut for 131867
1655E	25618	Gathering Feed Regulator Connection Hinge Screw (front) Nut for 168303
1655J	25633	Strip Gauge Supporting Rod Nut for 121964
1733	25562	Oil Pipe (back of arm) Coupling Nut (brass)
1733	25562	Oil Pipe (front of arm, long) Coupling Nut (brass) for 168036 (2)
1733	25562	Oil Pipe (front of arm, long) Oil Lead Coupling Nut (brass) for 168038
1733	25562	Oil Pipe (front of arm, short) Coupling Nut (brass) for 168040 (2)
1735C	25618	Gathering Feed Actuating Lever Stop Screw (lower) Nut for 131777
1735C	25618	Gathering Feed Actuating Lever Stop Screw (upper) Nut for 131777
2102	25619	Tension (thread covering) Disc (2)
2102	25619	Tension (under thread) Disc (2)
2102	25619	Tension (upper thread) Disc
2763	25573	Knee Lifter Rock Shaft for 23767
2766	25573	Knee Lifter Rock Shaft Knee Arm Hub with 356C, for 6336

No.	Plate	Name
2767	25573	Knee Lifter Rock Shaft Knee Plate with 356C, for 6336
2770	25573	Knee Lifter Rock Shaft Stop Dog with 140219C, for 23767
4879	25573	Foot Lifter Chain Connecting Link for 150452 (2)
4882	25573	Foot Lifter Treadle Shaft for 150452 (2)
6335	25573	Knee Lifter Rock Shaft Knee Arm for 6336
6336		Knee Lifter Rock Shaft Knee Arm complete, for 23767, Nos. 2766, 2767 and 6335
6337	25573	Knee Lifter Rock Shaft Lifting Bracket with two 356C, for 23767
6439		Foot Lifter Chain, 36 in. to 45 in. with 56864 and 56865 (2). NOTE: When ordering No. 6439 state length required.
6465	25615	Looper Gate Arm Hinge Screw Friction Washer for 168217 and 168256
6465	25633	Transverse Binder Bracket Screw Friction Washer for 121793
7071	25633	Edge Guide Screw Washer for 121847
7071		Feed Eccentric Clamping Washer for 168011 (2)
7071	25623	Needle Guard (movable) Screw Washer
7071	25621	Thread (under) Take-up (left) Thread Guide Screw Washer for 168060 and 168227 (2)
7071	25619	Thread (upper) Eyelet Screw Washer
7071	25633	Tube Guide Bracket Screw Washer for 121784
7071	25633	Tube Guide Edge Guide Screw Washer for 121784
7125	25573	Knee Lifter Rock Shaft Lifting Bracket Hook for 23767
8282		Presser Foot Chaining-off Plate Spring for 168270 (2)
8908	25631	Wrench (accessories)
9525	25618	Gathering Feed Actuating Lever Locking Screw Washer for 131867
9525	25633	Strip Gauge Indicator Thumb Screw Washer for 121963
9525		Thread Unwinder Thread Guide Nut Washer for 151037 and 151093
9842	21038	Machine Base Screw Stud Nut Washer for 131264 (3)
11173	25616	Presser Bar Lifting Bracket Guide
12242	25573	Knee Lifter Rock Shaft Hanger with two wood screws 1 in. No. 10, for 23767 (2)
13211	25632	Cord Holder or Lace Holder Spindle Cone (inside) Spring for 160783
17022	25621	Thread (under) Take-up (left) Stripper Screw Washer for 168060 and 168227
17022		Thread (under) Take-up (right) Thread Guide Screw Washer for 168060 and 168227
17905	25631	Wrench (Accessories)
23767	25573	Knee Lifter Rock Shaft complete, Nos. 2763, 2770, 6336, 6337, 7125 and two 12242
24701	25628	Presser Foot Compensating Plate Spring for 168224 (2)
26064	25635	Tape Disc Tape Guide Foot with 736J and three wood screws 1 in. No. 12 F.H., for 121787
26276	25623	Presser Foot Hinge Pin for 53170, 131802, 131807, 168224, 168270
29234	25616	Face Plate (upper half) Position Plate
32572	25619	Tension (thread covering) Releasing Disc
32572	25619	Tension (upper thread) Releasing Disc
36649	25627	Edge Guide for Cuffs and Anklets, for 247-3 Machine
36650	25627	Edge Guide for Collarettes, for 247-3 Machine
37563		Knee Lifter Chain, length 15 in. with 56864 and 56865
38210	25621	Thread (under) Nipper Spring (lower) for 168060 and 168227
38419	25614	Cloth Plate Slide Spring for 68108
38456	25616	Presser Bar Bushing (upper)
38468	25551	Presser Bar Spring Stud
41833	25632	Cord Holder or Lace Holder Spindle for 160783
41834	25632	Cord Holder or Lace Holder Spindle Bracket with 446AL and 448AL, for 160783

No.	Plate	Name
41875	25632	Cord Holder or Lace Holder Spindle Cone (inside) with 249J, for 160783
41876	25632	Cord Holder or Lace Holder Spindle Cone (outside) with 793J, for 160783
42089	25631	Wrench (Accessories)
42290	25633	Edge Guide Thumb Screw Washer for 121770
42290	25633	Transverse Binder Thumb Screw Washer for 121794
42365	25612	Arm Rock Shaft Oil Pad (braided cotton) for oiling Back Bearing
42367	25613	Arm Rotary Shaft Bushing (intermediate) Oil Pad, lower (braided cotton)
46087	25623	Presser Foot Shank for 53170 and 131802
46104	25602	Looper Needle Guard with 46105, for 168015
46105	25602	Looper Needle Guard Pin for 46104
46247	25621	Thread (under) Nipper Spring (upper) Stop for 168060 and 168227
50014F	25616	Needle Set Screw for 168170 (2)
50083AL	25613	Arm Rock Shaft Crank (back) Set Screw for 131072 (2)
50096B	25633	Tube Guide Tension Plate Thumb Screw for 121784
50138E	25602	Looper (driving) Eccentric Connection Position Plate Screw for 168205
50150AL	25613	Thread (under) Take-up (left) Set Screw for 168051 (3)
50183F	25618	Gathering Feed Actuating Lever Hinge Screw for 131867
50190W	25616	Face Plate (upper half) Thumb Screw
50231W		Thread (under) Take-up (right) Thread Guide Screw for 168060 and 168227
50253B	25633	Tube Guide Edge Guide Screw for 121784
50326C	25619	Tension (thread covering) Screw Stud for 59539
50326C	25619	Tension (upper thread) Screw Stud for 59539
50370AL	25616	Thread Laying Finger Set Screw for 168048 (2)
50429AL	25618	Feed (back) Dog Stop Screw for 168007
50429AL	25628	Presser Foot Shank Adjusting Screw for 54411
50473F	25614	Cloth Plate Screw (right)
50505C	25612	Thread Carrying Finger Oscillating Arm Slide Block Holder Driving Stud Bushing Set Screw for 131937
50608R	25551	Arm Hole Plug Screw, for access to Crank Connecting Rod (upper bearing)
50624E	25616	Thread Carrying Finger Clamping Screw for 131811
51015AL	25633	Tube Guide Bracket Stud Set Screw for 121779 (2)
51047C	25623	Needle Guard (movable) Screw
51061AL	25613	Feed Eccentric Body Set Screw for 168011 (3)
51119J	25602	Looper Holder Screw
51276R		Thread Unwinder Spool Rest Bracket Screw for 151037
51283AL	25613	Machine Driving Pulley Set Screw for 131914 (2)
51323J	25621	Thread (under) Take-up (left) Stripper Screw for 168060 and 168227
51369E	25623	Needle Guard (movable) Holder Screw
51408AL	25618	Feed (front) Bar Feed Dog Seat Screw for 147570
51422J	25613	Arm Rotary Shaft Bushing (front) Bracket Screw for 168001
51570C	25619	Tension (thread covering) Regulating Thumb Nut for 59539
51570C	25619	Tension (under thread) Regulating Thumb Nut for 131809
51570C	25619	Tension (upper thread) Regulating Thumb Nut for 59539
51576E	21038	Machine Base Screw Stud Nut for 131264 (3)
51700C	25618	Gathering Feed Regulator Connection Hinge Screw (back) Nut for 168303
51715AL	25613	Crank Connecting Rod Cap (lower) Screw Stud Nut for 131926 (2)
53169	25627	Presser Foot Plate for 53170
53170	25627	Presser Foot (hinged) complete, for 3/32 in. - 3/32 in. and 1/8 in. - 1/8 in. gauges, for Joining Cuff and Ankle pieces to Knit Underwear, for 247-3 Machine, Nos. 26276, 46087 and 53169
53173	25627	Throat Plate for 168257 and 168258, for 3/32 in. - 3/32 in. and 1/8 in. - 1/8 in. gauges, for Joining Cuff and Ankle pieces to Knit Underwear, for Solid Tube Borders, for 247-3 Machine

No.	Plate	Name
53225	25619	Thread (under) Eyelet (back)
54038	25614	Oil Splash Guard (side of arm) Holder
54047	25619	Tension (upper thread) Releasing Shaft Crank with 624AL
54048	25619	Tension (upper thread) Releasing Shaft Crank Link
54218	25613	Arm Rotary Shaft Bushing (intermediate) Oil Pad, upper (braided cotton)
54245	25620	Tension (upper thread) Bracket for 247-3 Machine
54246	25620	Tension (upper thread) Releasing Shaft for 247-3 Machine
54279	25619	Tension (thread covering) Thread Guide (double)
54279	25619	Tension (upper thread) Thread Guide
54411	25628	Presser Foot Shank with 460AL and 50429AL, for 168224
54477	21038	Machine Base Screw Stud, to fasten base to table, for 131264 (3)
54865	25625	Presser Foot Plate (left) Lock Spring Screw Friction Washer for 131807 and 168270
54969	25612	Arm Rock Shaft Oil Pad (braided cotton) for oiling Intermediate Bearing
54988	25619	Tension (thread covering) Releasing Pin
54988	25619	Tension (upper thread) Releasing Pin
56864	25631	Foot Lifter Chain Hook (large) for 6439 (2)
56864	25631	Knee Lifter Chain Hook (large) for 37563
56865	25631	Foot Lifter Chain Hook (small) for 6439 (2)
56865	25631	Knee Lifter Chain Hook (small) for 37563
57235	25618	Feed Rocking Frame Hinge Pin Bushing (2)
59343	25618	Feed Connecting Rod Hinge Pin Collar with 735AL, for 168303
59537	25619	Tension (thread covering) Spring Bushing (large)
59537	25619	Tension (under thread) Spring Bushing (large)
59537	25619	Tension (upper thread) Spring Bushing (large)
59538	25619	Tension (thread covering) Spring Bushing (small)
59538	25619	Tension (under thread) Spring Bushing (small)
59538	25619	Tension (upper thread) Spring Bushing (small)
59539	Tension (thread covering) Screw Stud 50326C with 51570C
59539	Tension (upper thread) Screw Stud 50326C with 51570C
64320	25616	Needle Bar Bushing (upper)
68002	25619	Tension (upper thread) Bracket for 247-2 Machine
68003	25619	Tension (upper thread) Releasing Shaft for 247-2 Machine
68098	25630	Presser Foot Chaining-off Plate Collar with 906AL, for 168270
68107	25614	Cloth Plate Slide for 68108
68108	25614	Cloth Plate Slide complete, for 168217, 168256 and 168261, Nos. 38419, 68107 and two 665J
68261	25619	Tension (upper thread) Releasing Shaft Spring
68350	25612	Arm Oil Cup, for oiling Arm Rock Shaft Front Bearing
68428	25551	Arm Bottom Cover
68429	25551	Arm Bottom Cover Gasket (cork)
68433	25612	Arm Rock Shaft Bushing (back)
68435	25612	Arm Rock Shaft Bushing (back) Cap
68436	25612	Arm Rock Shaft Bushing (intermediate)
68448	25551	Arm Side Cover Gasket
68467	25618	Feed (back) Bar Wearing Plate for 168007
*68483	Arm Rotary Shaft Bushing (front) Bracket with 761E, for 168001
68489	25616	Needle Bar Connecting Link Hinge Stud (hollow) for 168031
68492	25562	Oil Pipe (back of arm) with 68497, for oiling Feed Rocking Frame Hinge Pin Front Bearing
68493	25562	Oil Pipe (back of arm) Clamp
68494	25562	Oil Pipe (back of arm) Connection with 68495 and two 198E, for oiling Feed Rocking Frame Hinge Pin Back Bearing
68495	25562	Oil Pipe (back of arm) Connection Oil Pad (wick) for 68494

No.	Plate	Name
68496	25562	Oil Pipe (back of arm) Coupling
68497	25613	Arm Rotary Shaft Bushing (front) Bearing Oil Pad (wick)
68497	25613	Feed Connecting Rod Oil Pad (wick) for 131500
68497	25613	Looper Carrier Shaft Oil Pad (wick)
68497	25562	Oil Pipe (back of arm) Oil Pad (wick) for 68492
68497	25562	Oil Pipe (front of arm, long) Oil Lead Oil Pad (wick) for 168039
120341	25631	Tweezers (curved) Accessories
120344	25631	Oiler (copper plated) with 120345 (Accessories)
120345	25631	Oiler Spout, 4-1/2 in. long for 120344
120440	25631	Screw Driver (large) Accessories
120675	25636	Tape Holder Tape Disc for 160785
120677	25636	Tape Holder Tape Disc Screw Stud for 160785
121108	25631	Screw Driver (small) Accessories
121678	25614	Looper Gate Arm Spring for 168261
121770	25633	Edge Guide for use with Transverse Binder, for Split Tube Borders
121772	25633	Edge Guide for use with Tube Guide, for 121847
121773	25633	Edge Guide Bracket for 121847
121777	25633	Strip Gauge Supporting Rod Holder with 736J and three wood screws 1 in. No. 12 F.H. for 121965
121779	25633	Tube Guide Body with two 51015AL, for 121784
121780	25633	Tube Guide Bracket for 121784
121781	25633	Tube Guide Edge Guide (adjustable) for 121784
121782	25633	Tube Guide Tension Plate for 121784
121783	25633	Tube Guide Tension Plate Thumb Screw Spring for 121784
121784	25633	Tube Guide complete for Solid Tube Borders, Nos. 190B, 50096B, 50253B, 121779, 121780, 121781, 121782, 121783 and two 7071
121786	25635	Tape Disc Tape Guide Block for 121787
121787	25635	Tape Disc Tape Guide complete for Split Tube Borders, Nos. 26064 and 121786
121790	25633	Transverse Binder on Shank for 121794
121791	25633	Transverse Binder Bracket for 121793
121792	25633	Transverse Binder Bracket Holder for 121793
121793	Transverse Binder Bracket complete for 121794, Nos. 1263K, 1350C, 6465, 121791 and 121792
121794	25633	Transverse Binder on Shank complete for Split Tube Borders, Nos. 42290, 121790, 121793, 140360W and two 1094F
121847	25633	Edge Guide complete, for Solid Tube Borders, Nos. 89F, 217J, 7071, 121772, 121773 and 12173
121962	25633	Strip Gauge (graduated) for 121965
121963	25633	Strip Gauge Indicator with 671J and 9525, for 121965
121964	25633	Strip Gauge Supporting Rod with 1665J, for 121965
121965	25633	Strip Gauge (graduated) complete, Nos. 1011F, 121777, 121962, 121963 and 121964
126249	25573	Foot Lifter Treadle for 150452 (2)
126250	25573	Foot Lifter Treadle Spring for 150452 (2)
127173	25633	Edge Guide Bracket Hinge Screw Friction Washer for 121847
127784	25615	Looper Gate Lock Spring Screw Washer for 168214 and 168260 (2)
131003	25562	Oil Pipe (front of arm, long) Oil Lead Connection with two 198E, for 168038 and 168039 (2)
131004	25562	Oil Pipe (front of arm, long) Coupling (left)
131004	25562	Oil Pipe (front of arm, long) Oil Lead Coupling
131004	25562	Oil Pipe (front of arm, short) Coupling (2)
131022	21038	Machine Base Screw Stud Bushing (rubber) for 168001 (4)
131028	25613	Arm Rotary Shaft Bushing (front) Oil Plug
131028	25616	Thread Carrying Finger Oscillating Arm Slide Block Holder Shaft Oil Screw Plug
131056	25612	Arm Rock Shaft Adjusting Screw Washer
131072	25613	Arm Rock Shaft Crank, back (ball bearing, solid) with two 50083AL, for 131930

No.	Plate	Name
131089	Oil Pipe (front of arm, short) Oil Wick (braided cotton) for 168040
131095	25612	Arm Rock Shaft Bushing (back) Cap Washer (fiber)
131188	21038	Machine Base Oil Drain Jar Clamp for 131217
131189	21038	Machine Base Oil Drain Jar Clamp Lever for 131217
131205	21038	Machine Base Screw Stud, to position machine on base, for 131264 (4)
131217	Machine Base Oil Drain Jar Clamp 131188 with 131189, for 131268
131263	21038	Machine Base for 131264
131264	21038	Machine Base complete, for 131328, Nos. 131263, three each 9842, 51576E, 54477 and four each 131205 and 131279
131265	21038	Machine Base Oil Drain Jar Nipple (long) for 131268 (2)
131266	21038	Machine Base Oil Drain Jar Nipple (short) for 131268
131267	21038	Machine Base Oil Drain Jar Nipple Elbow for 131268 (2)
131268	21038	Machine Base Oil Drain Jar (swinging type) complete, for 131328, Nos. 131217, 131266, 131961, 131962 and two each 1247C, 131265 and 131267
131270	25616	Needle Bar Connecting Link Hinge Stud Oil Pad (wick)
131276	25551	Arm Side Cover (oil vent) for 131911
131279	21038	Machine Cushion (felt) for 131264 (4)
131280	25551	Arm Side Cover Cap Position Pin for 131911
131291	25616	Needle Bar Bushing (lower)
131319	25612	Arm Oil Cup Oil Pad (braided cotton) for 68350
131328	21038	Machine Base and Oil Drain Jar (swinging type) complete, Nos. 131264 and 131268
131366	25613	Arm Rotary Shaft Ball Bearing (back) for 131526 (2)
131366	25613	Arm Rotary Shaft Ball Bearing (intermediate)
131369	25613	Arm Rotary Shaft Ball Bearing (back) Case Cap for 131479
131370	25613	Arm Rotary Shaft Ball Bearing (back) Case Position Stud (3)
131402	25619	Presser Bar Lifting Lever
131411	25621	Thread (under) Take-up Stripper Plate Bracket for 168060 and 168227
131456	25612	Arm Rock Shaft Flanged Bushing (front)
131457	25613	Arm Rotary Shaft Bushing (intermediate)
131478	25613	Arm Rotary Shaft Ball Bearing (back) Case for 131479
131479	Arm Rotary Shaft Ball Bearing (back) Case 131478 with 131369 and three 205C, for 131526
131480	25613	Arm Rotary Shaft Ball Bearing (back) Spacing Collar for 131526
131481	25613	Arm Rotary Shaft Ball Bearing (intermediate) Case
131482	25613	Arm Rotary Shaft Ball Bearing (intermediate) Collar with two 457AL
131492	25616	Needle Bar Connecting Stud with 1492E, for 168031
131496	25619	Thread (upper) Take-up (auxiliary) Clamp
131497	25616	Needle Bar (hollow) for 168169 and 168206
131500	25613	Feed Connecting Rod with 1057AL, 68497, 134260 and two 896AL, for 168010
131504	25602	Looper Holder with 1120AL
131526	Arm Rotary Shaft Ball Bearing (back) Case with Ball Bearings complete, Nos. 131479, 131480 and two 131366
131696	25619	Tension (under thread) Thread Guide (double)
131740	25619	Tension (thread covering) Spring
131740	25619	Tension (under thread) Spring
131741	25619	Tension (upper thread) Spring
131749	25551	Presser Bar Spring for 168044
131750	25551	Presser Bar Spring (auxiliary) for 168044
131752	25551	Pressure Regulating Thumb Screw Washer for 168044
131760	25616	Face Plate (lower half)
131761	25616	Face Plate (lower half) Gasket (cork)
131762	25616	Face Plate (upper half)

No.	Plate	Name
131766	25618	Feed (back) Bar Hinge Pin for 168303
131769	25618	Feed (front) Bar Guide for 147571
131770	25618	Feed (front) Bar Slide Bar for 147571
131772	25618	Feed Connecting Rod Hinge Pin (eccentric) for 168303
131773	25618	Feed Rocking Frame with 889AL and two 1036AL, for 168303
131775	25618	Feed Rocking Frame Hinge Pin for 168303
131776	25618	Gathering Feed Actuating Lever for 131867
131777	25618	Gathering Feed Actuating Lever Bracket with 175C, 910AL and two 1735C, for 131867
131778	25618	Gathering Feed Actuating Lever Spring
131779	25618	Gathering Feed Regulator with two 1057AL, for 168303
131780	25618	Gathering Feed Regulator Connection for 168303
131781	25618	Gathering Feed Regulator Connection Hinge Screw (back) Nut Washer for 168303
131785	25615	Looper Gate Arm for 168214 and 168260
131787	25615	Looper Gate Lock Spring for 168214 and 168260
131798	25562	Oil Pipe (front of arm, long) Coupling (right)
131799	25616	Presser Bar Lifting Bracket with 453AL
131800	25623	Presser Foot Plate for 131802
131801	25623	Presser Foot Roller for 131802
131802	25623	Presser Foot (hinged) with Roller complete, for Solid Tube Borders, for 1/8 in. to 1/4 in. gauges, for 247-2 Machine and for 3/32 in. - 3/32 in. and 1/8 in. - 1/8 in. gauges, for 247-3 Machine, Nos. 26276, 46087, 131800, 131801 and 147547
131803	25625	Presser Foot Plate (left) for 131807
131804	25625	Presser Foot Plate (left) Lock Spring for 131807 and 168270
131805	25625	Presser Foot Plate (right) for 131807
131806	25625	Presser Foot Shank for 131807
131807	25625	Presser Foot (hinged) complete, for Split Tube Borders, for 1/8 in. to 1/4 in. gauges, for 247-2 Machine, Nos. 109J, 26276, 54865, 131803, 131804, 131805 and 131806
131809	Tension (under thread) Screw Stud 140113C with 51570C
131811	25616	Thread Carrying Finger Holder (segment) with 50624E, for 131868
131812	25616	Thread Carrying Finger Holder Bracket for 131868
131813	25616	Thread Carrying Finger Holder Slide Block for 131868
131814	25616	Thread Carrying Finger Holder Slide Block Crank with 171AL, for 131868
131815	25616	Thread Carrying Finger Oscillating Arm (forked) and Presser Bar Bushing (lower)
131816	25616	Thread Carrying Finger Oscillating Arm Slide Block for 147518
131817	25616	Thread Carrying Finger Oscillating Arm Slide Block Holder with 462AL, for 147518
131818	25616	Thread Carrying Finger Oscillating Arm Slide Block Holder Driving Stud
131819	25612	Thread Carrying Finger Oscillating Arm Slide Block Holder Driving Stud Bushing for 131937
131820	25616	Thread Carrying Finger Oscillating Arm Slide Block Holder Shaft
131821	25616	Thread Laying Finger
131864	25613	Arm Oil Cup, for 131866
131865	25613	Arm Oil Cup Oil Gauge for 131866
131866	25613	Arm Oil Cup with Oil Gauge complete, Nos. 131864 and 131865, for filling oil reservoir
131867	25618	Gathering Feed Actuating Lever Bracket 131777 with 359C, 1226C, 1520J, 9525, 50183F, 131776 and two 1654C
131868	Thread Carrying Finger Holder Bracket 131812 with 212J, 226C, 131811, 131813 and 131814

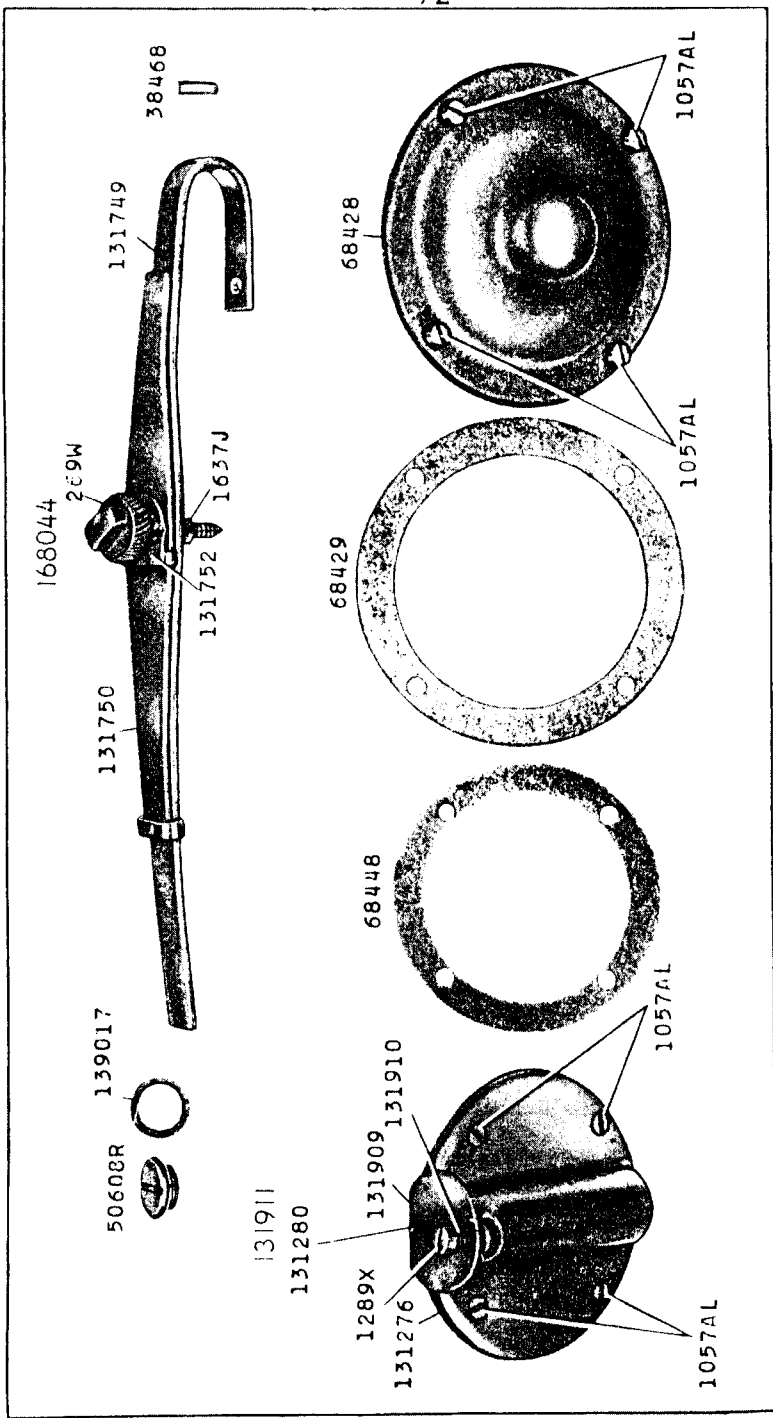
No.	Plate	Name
131909	25551	Arm Side Cover Cap for 131911
131910	25551	Arm Side Cover Cap Spring for 131911
131911	25551	Arm Side Cover (oil vent) complete, Nos. 1289X, 131276, 131280, 131909 and 131910
131912	25616	Presser Bar (hollow)
131914	25613	Machine Driving Pulley "V" belt groove (outside diam. of belt groove 2.9 in.) with two 51283AL, for 3/8 in. "V" belt
*131926	25613	Crank Connecting Rod with two each 1057AL, 51715AL, 131927 and 131928, for 131930
		NOTE: When No. 131926 is required for repairs, the Connecting Rod and Arm Rock Shaft Crank (back) fitted together, will be furnished. All Agency orders for this part must state the machine number for which it is required, in order to obtain correct Needle Bar Stroke.
131927	25613	Crank Connecting Rod Cap (lower) Screw Stud for 131926 (2)
131928	25613	Crank Connecting Rod Cap (lower) Screw Stud Nut Lock Washer for 131926 (2)
131930		Crank Connecting Rod 131926 with 131072, for 168003
131937	25612	Arm Rock Shaft and Front Crank with 853AL, 1235F, 50505C and 131819
131959	25613	Arm Rotary Shaft Bushing (front)
131961	21038	Machine Base Oil Drain Jar (glass) 2-1/8 in. diam. at mouth for 131268
131962	21038	Machine Base Oil Drain Jar Cap (diam. of recess for Jar 2-7/16 in.) for 131268
132583	25602	Looper (avoiding motion) Eccentric Connection Hinge Pin with 132584, for 168208
132584	25602	Looper (avoiding motion) Eccentric Connection Hinge Pin Oil Wick for 132583
134260	25613	Feed Connecting Rod Oil Pad Retainer for 131500
138306		Feed Eccentric Lubricating Pad (wood) for 168011
139017	25551	Arm Hole Plug Screw Washer
140113C	25619	Tension (under thread) Screw Stud for 131809
140159AL	25602	Looper (driving) Eccentric Connection Cap (upper) Screw for 168025 (2)
140180J	25621	Thread (under) Take-up (left) Thread Guide Screw for 168060 and 168227 (2)
140219C	25573	Knee Lifter Rock Shaft Stop Dog Set Screw for 2770
140311C	25618	Gathering Feed Regulator Connection Hinge Screw (back) for 168303
140360W	25633	Edge Guide Thumb Screw for 121770
140360W	25633	Transverse Binder Thumb Screw for 121794
140594C	25614	Looper Gate Arm Hinge Screw for 168261
140645F	25616	Thread Carrying Finger Oscillating Arm Slide Block Cap Screw for 147518
147518		Thread Carrying Finger Oscillating Arm Slide Block 131816 with 131817 and 140645F
147547	25623	Presser Foot Roller Hinge Pin for 131802
147568	25618	Feed (front) Bar for 147570
147569	25618	Feed (front) Bar Feed Dog Seat (adjustable) for 147570
147570		Feed (front) Bar complete, for 147571 Nos. 51408AL, 147568 and 147569
147571		Feed (front) Bar 147570 with 131769 and 131770, for 168303
150203	25637	Thread Unwinder Spool Rest Cushion (felt) for 151037 and 151093
150451	25573	Foot Lifter Treadle Stand for 150452 (2)
150452	25573	Foot Lifter Treadle complete, Nos. 4879, 4882, 126249, 126250, 150451 and two wood screws 1 in. No. 16 (2)
151032	25637	Thread Unwinder Base with 138R and three wood screws 1 in. No. 12 F.H., for 151037 and 151093
151033	25637	Thread Unwinder Spool Rest Bracket for 151037

No.	Plate	Name
151034	25637	Thread Unwinder Spool Rest Bracket Rod for 151037 and 151093
151035	25637	Thread Unwinder Thread Guide for 151037 and 151093
151037	25637	Thread Unwinder complete, (four spools) for 247-2 Machine, Nos. 51276R, 151032, 151033, 151034, two 225257, four each 150203, 151035 and eight each 1521R and 9525
151039	25638	Thread Unwinder Spool Rest Bracket for 151093
151093	25638	Thread Unwinder complete (five spools) for 247-3 Machine, Nos. 1395R, 151032, 151034, 151039, 225259, two 225257, five each 150203, 151035 and ten each 1521R and 9525
160281	25633	Edge Guide Seat for use with Transverse Binder, for Split Tube Borders
160282	25633	Edge Guide Seat for use with Tube Guide for Solid Tube Borders
160596	25632	Cord Holder or Lace Holder Base with 200383C, for 160783
160782	25632	Cord Holder or Lace Holder Rod for 160783
160783	25632	Cord Holder or Lace Holder complete, for Solid Tube Borders, Nos. 13211, 41833, 41834, 41875, 41876, 160596, 160782 and three wood screws 3/4 in. No. 12 F.H.
160784	25636	Tape Holder Tape Disc Screw Stud Holder for 160785
160785	25636	Tape Holder complete for Split Tube Borders, Nos. 120675, 120677, 160784, 259658 and three wood screws 3/4 in. No. 12 F.H.
*168001		Arm, upper and lower (solid) with 51422J, 68483 and four 131022
168002	25613	Arm Rotary Shaft with 168215, for 168003
168003		Arm Rotary Shaft 168002 with 131930 and 168010
168006	25618	Feed (back) Bar for 168007
168007		Feed (back) Bar complete, for 168303, Nos. 1147AL, 50429AL, 68467, 168006 and two 207E
168009	25618	Feed Bar Slide Block
168010		Feed Connecting Rod 131500 with 168011, for 168003
168011	25613	Feed Eccentric (adjustable) complete, for 168010, Nos. 1103C, 138306, two each 217J, 7071 and three 51061AL
168012	25613	Feed Lifting Eccentric with three 624AL
168012	25613	Looper (avoiding motion) Eccentric with three 624AL
168014	25602	Looper for 168015
168015	25602	Looper 168014 with 229J and 46104
168016	25602	Looper Carrier for 168208
168017	25602	Looper Carrier Shaft with 1231E, for 168238
168018	25602	Looper Carrier Shaft Crank with two 1057AL, for 168205
168019	25602	Looper (avoiding motion) Eccentric Connection with 223C, for 168208
168020	25602	Looper (avoiding motion) Eccentric Connection Holder for 168208
168021	25602	Looper (avoiding motion) Eccentric Connection Holder Screw Bushing for 168208
168022	25602	Looper (avoiding motion) Eccentric Connection Holder Screw Bushing Bearing
168023	25602	Looper (avoiding motion) Eccentric Connection Holder Thrust Bearing for 168208
168024	25602	Looper (driving) Eccentric with three 1036AL, for 168205
168025	25602	Looper (driving) Eccentric Connection with two each 175C and 140159AL, for 168205
168026	25602	Looper (driving) Eccentric Connection Position Plate for 168205
168030	25616	Needle Bar Connecting Link for 168031
168031		Needle Bar Connecting Link 168030 with 68489 and 131492

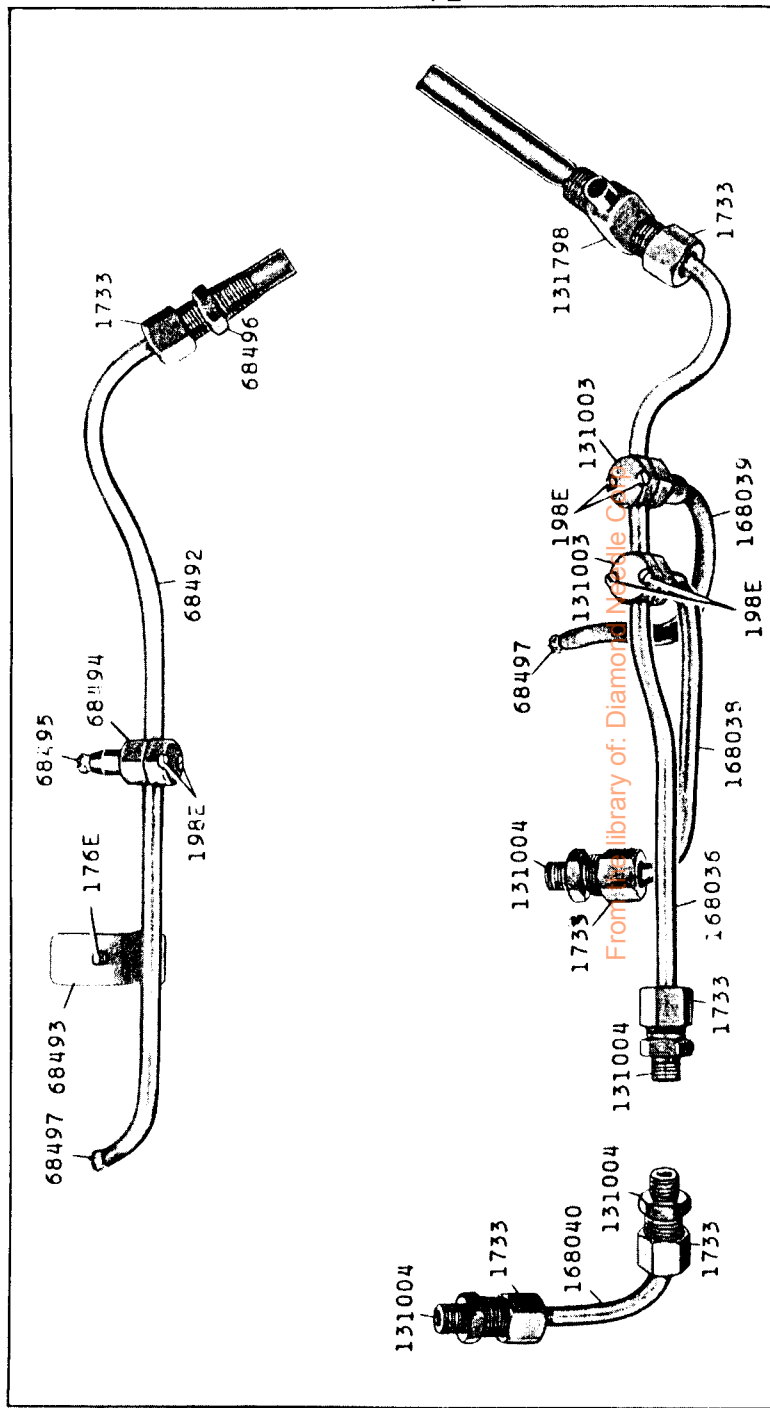
No.	Plate	Name
168033	25616	Needle Clamp Thread Guide for 168169 and 168206
168034	25623	Needle Guard (movable) for 1/8 in. to 1/4 in. gauges, for 247-2 Machine, for Solid and Split Tube Borders
168035	25623	Needle Guard (movable) Holder
168036	25562	Oil Pipe (front of arm, long) with two 1733, for 168037
168037		Oil Pipe (front of arm, long) complete, Nos. 168036, 168038 and 168039
168038	25562	Oil Pipe (front of arm, long) Coupling Oil Lead with 1733 and 131003, for oiling Arm Rotary Shaft Front Bearing for 168037
168039	25562	Oil Pipe (front of arm, long) Oil Lead with 68497 and 131003, for oiling Feed Connecting Rod, for 168037
168040	25562	Oil Pipe (front of arm, short) with 131089 and two 1733
168041	25614	Oil Splash Guard (front of arm)
168042	25614	Oil Splash Guard (side of arm)
168043	25619	Presser Bar Lifting Lever Extension
168044	25551	Presser Bar Spring complete, Nos. 269W, 1637J, 131749, 131750 and 131752
168045	25619	Thread (upper) Take-up (auxiliary)
168046	25616	Tension (thread covering) Controller Eyelet
168047	25616	Tension (thread covering) Thread Guide
168048	25616	Thread Laying Finger Holder with 1057AL and two 50370AL
168049	25613	Thread (under) Nipper Cam with 889AL
168050	25621	Thread (under) Nipper Spring (upper) for 168060 and 168227
168051	25613	Thread (under) Take-up (left) with three 50150AL
168052	25621	Thread (under) Take-up (left) Stripper for 168060 and 168227
168053	25621	Thread (under) Take-up (left) Stripper Bracket for 168060 and 168227
168054	25621	Thread (under) Take-up (left) Thread Guide (left) for 168060
168055	25621	Thread (under) Take-up (left) Thread Guide (right) for 168060
168056	25613	Thread (under) Take-up (right)
168057	25621	Thread (under) Take-up (right) Stripper for 168060 and 168227
168058	25621	Thread (under) Take-up (right) Stripper Bracket for 168060 and 168227
168059	25621	Thread (under) Take-up Stripper Plate for 168060 and 168227
168060	25621	Thread (under) Take-up Stripper Plate Bracket 131411 with 38210, 46247, 50231W, 51323J, 168050, 168052, 168053, 168054, 168055, 168057, 168058, 168059, 168065, two each 207J, 236J, 7071, 17022, 140180J and three 176J, for 247-2 Machine
168061	25619	Thread (upper) Eyelet
168063	25573	Belt Guard with two wood screws 3/4 in. No. 12 R.H.
168064	25634	Material Guard with two wood screws 1 in. No. 10 R.H.B.
168065	25621	Thread (under) Take-up (right) Thread Guide for 168060 and 168227
168130	25616	Thread (upper) Take-up with 223J
168144	25620	Tension (upper thread) Thread Separator for 247-3 Machine
168145	25619	Tension (upper thread) Thread Separator for 247-2 Machine
168169	25623	Needle Bar complete, for 1/8 in. to 1/4 in. gauges, for Solid and Split Tube Borders for 247-2 Machine, Nos. 131497, 168033 and 168170
168170	25623	Needle Clamp with two 50014F, for 1/8 in. to 1/4 in. gauges, for 168169
168205		Looper (driving) Eccentric Connection 168025 with 50138E, 168018, 168024 and 168026 for 168238

No.	Plate	Name
168206	25627	Needle Bar complete, for 3/32 in. - 3/32 in. and 1/8 in. - 1/8 in. gauges, for 247-3 Machine, Nos. 131497, 168033 and 168207
168207	25627	Needle Clamp with three 904F, for 168206
168208		Looper Carrier 168016 with 132583, 168019, 168020, 168021 and 168023, for 168238
168209	25616	Thread Carrying Finger
168213	25628	Looper Gate for 168214
168214		Looper Gate complete, for 168217, Nos. 190J, 131785, 131787, 168213, two 127784 and three 1094E
168215	25613	Arm Rotary Shaft Oil Wick for 168002
168216	25628	Cloth Plate for 168217
168217	25628	Cloth Plate complete, for Hemming Knit Goods, for 247-3 Machine, Nos. 1350C, 6465, 68108, 168214 and 168216
168220	25628	Feed (back) Dog, 12 teeth (16 teeth to the inch) for 168228, for 3/32 in. - 3/32 in. and 1/8 in. - 1/8 in. gauges, for Hemming Knit Goods, for 247-3 Machine
168221	25628	Feed (front) Dog, 9 teeth (16 teeth to the inch) for 168228, for 3/32 in. - 3/32 in. and 1/8 in. - 1/8 in. gauges, for Hemming Knit Goods, for 247-3 Machine
168222	25628	Presser Foot Compensating Plate for 168224
168223	25628	Presser Foot Plate for 168224
168224	25628	Presser Foot (compensating, hinged) complete for 3/32 in. - 3/32 in. and 1/8 in. - 1/8 in. gauges, for Hemming Knit Goods, for 247-3 Machine, Nos. 26276, 54411, 168222, 168223 and two each 1449F and 24701
168225	25622	Thread (under) Take-up (left) Thread Guide (left) for 168227
168226	25622	Thread (under) Take-up (left) Thread Guide (right) for 168227
168227	25622	Thread (under) Take-up Stripper Plate Bracket 131411 with 38210, 46247, 50231W, 51323J, 168050, 168052, 168053, 168057, 168058, 168059, 168065, 168225, 168226, two each 207J, 236J, 7071, 17022, 140180J and three 176J, for 247-3 Machine
168228	25628	Throat Plate for 168220 and 168221, for 3/32 in. - 3/32 in. and 1/8 in. - 1/8 in. gauges, for 247-3 Machine
168238		Looper Carrier 168208 with 168017 and 168205
168243	25627	Needle Guard (movable) for 3/32 in. - 3/32 in. and 1/8 in. - 1/8 in. gauges, for 247-3 Machine
168255	25614	Cloth Plate for 168256 and 168261
168256	25615	Cloth Plate complete, for 247-3 Machine, Nos. 1350C, 6465, 68108, 168255 and 168260
		NOTE: No. 168256 is regularly furnished with this machine, unless otherwise specified on order.
168257	25627	Feed (back) Dog, 12 teeth (16 teeth to the inch) for 53173 and 168271, for 3/32 in. - 3/32 in. and 1/8 in. - 1/8 in. gauges, for Joining Cuff and Ankle pieces to Knit Underwear, for Split and Solid Tube Borders, for 247-3 Machine
168258	25627	Feed (front) Dog, 10 teeth (16 teeth to the inch) for 53173, for 3/32 in. - 3/32 in. and 1/8 in. - 1/8 in. gauges, for Joining Cuff and Ankle pieces to Knit Underwear, for Solid Tube Borders, for 247-3 Machine
168259	25615	Looper Gate for 168260
168260		Looper Gate complete, for 168256, Nos. 190J, 131785, 131787, 168259, two 127784 and three 1094E
168261	25614	Cloth Plate complete, for 247-2 Machine, and for Split Tube Borders, for 247-3 Machine, Nos. 68108, 121678, 140594C, 168255 and 168265
168262	25630	Feed (front) Dog, 10 teeth (16 teeth to the inch) for 3/32 in. - 3/32 in. and 1/8 in. - 1/8 in. gauges, for 168271, for Split Tube Borders, for 247-3 Machine

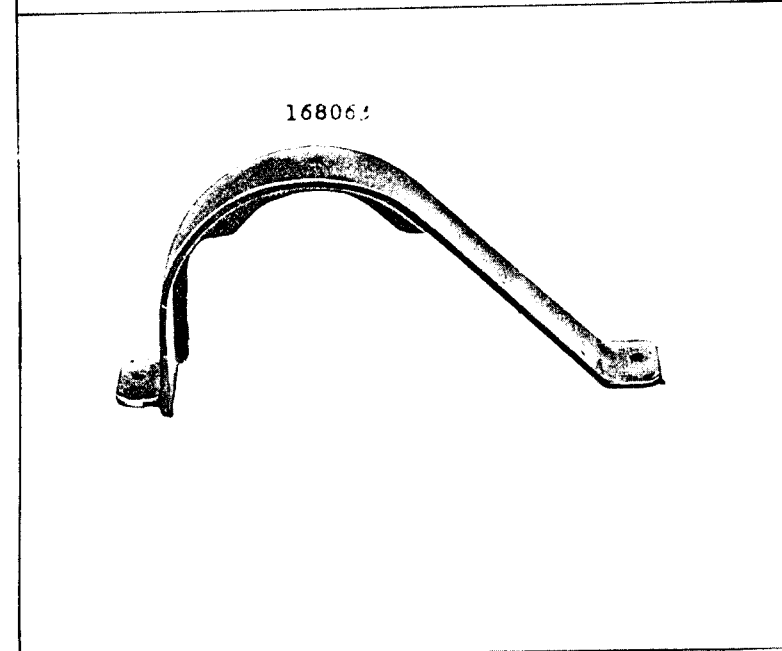
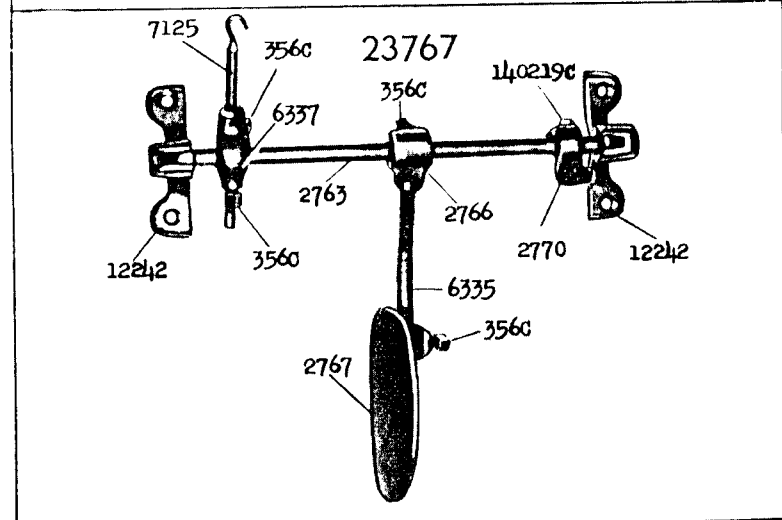
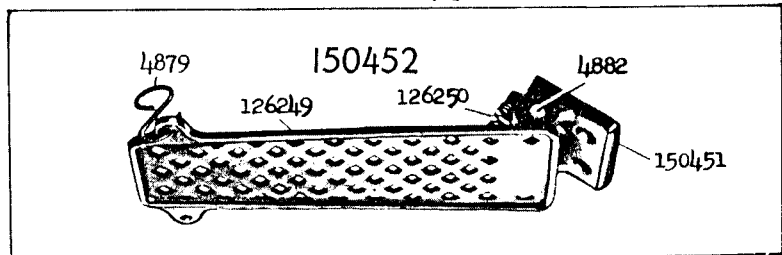
25551-1/2



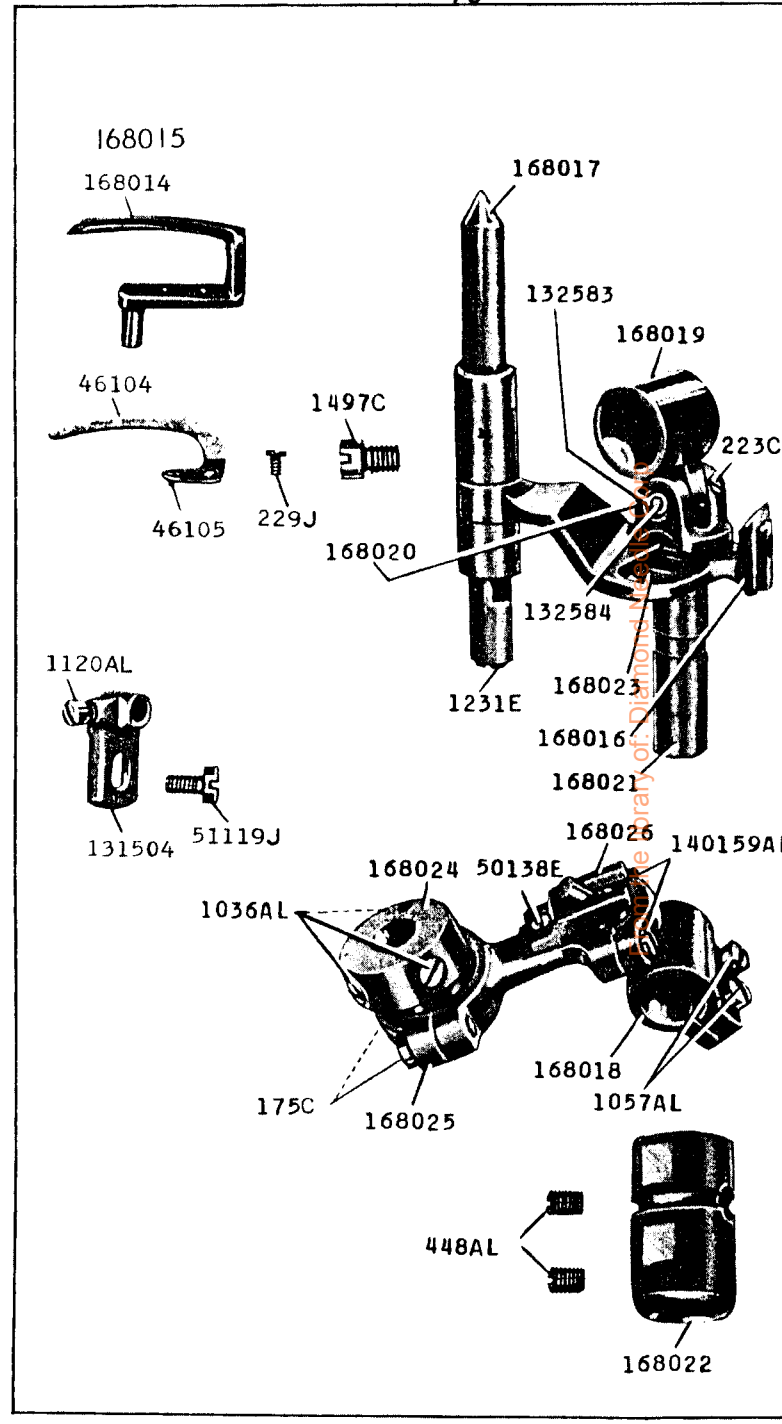
25562-1/2

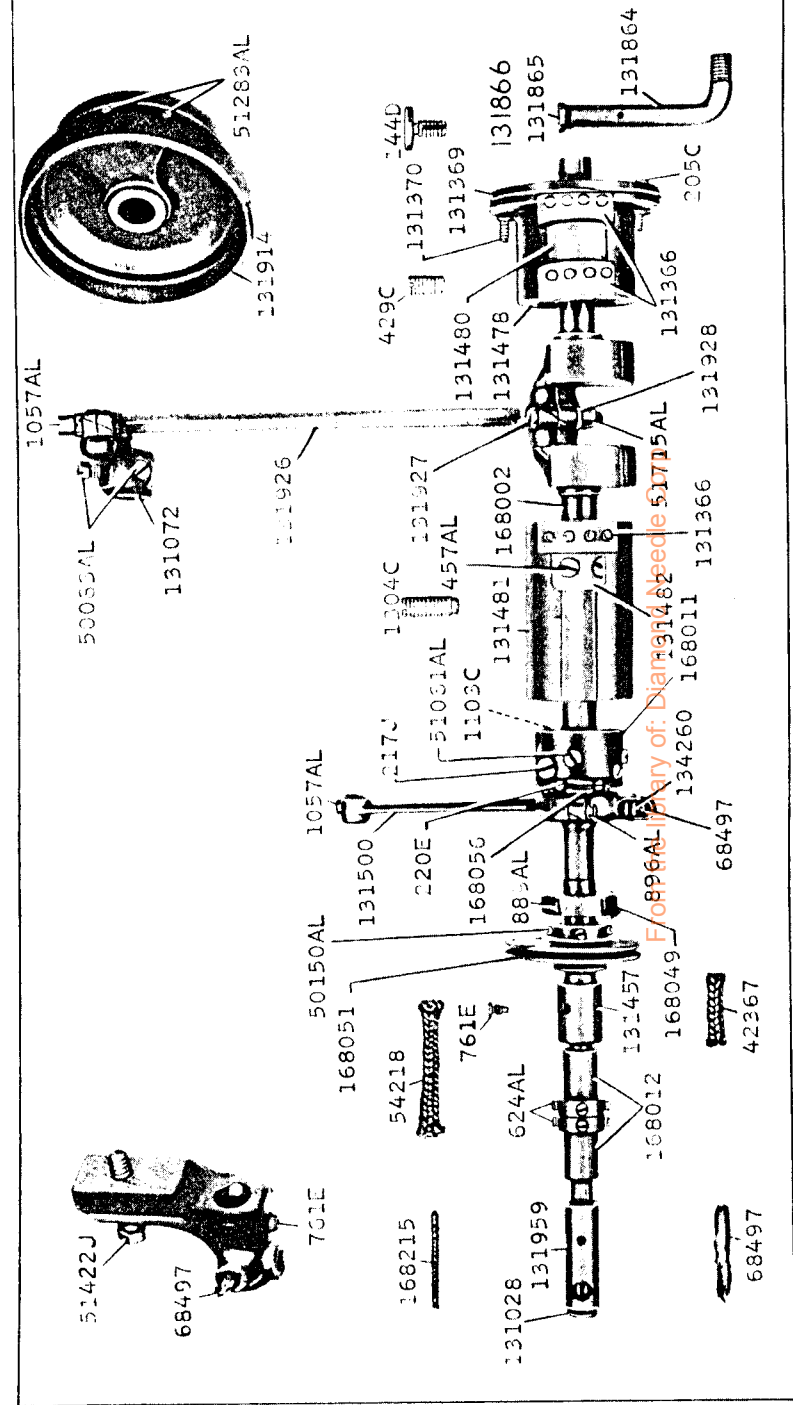
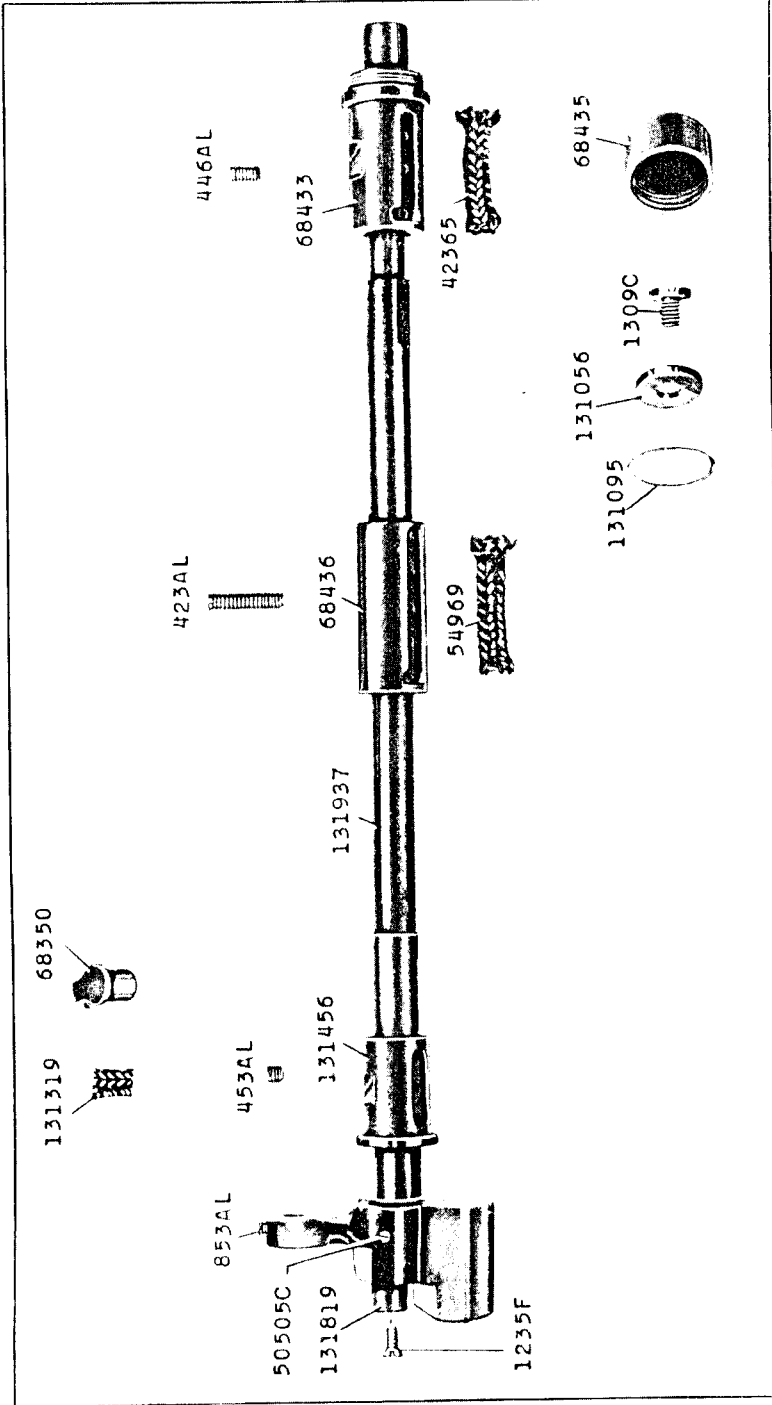


25573-1/4



25602-2/3

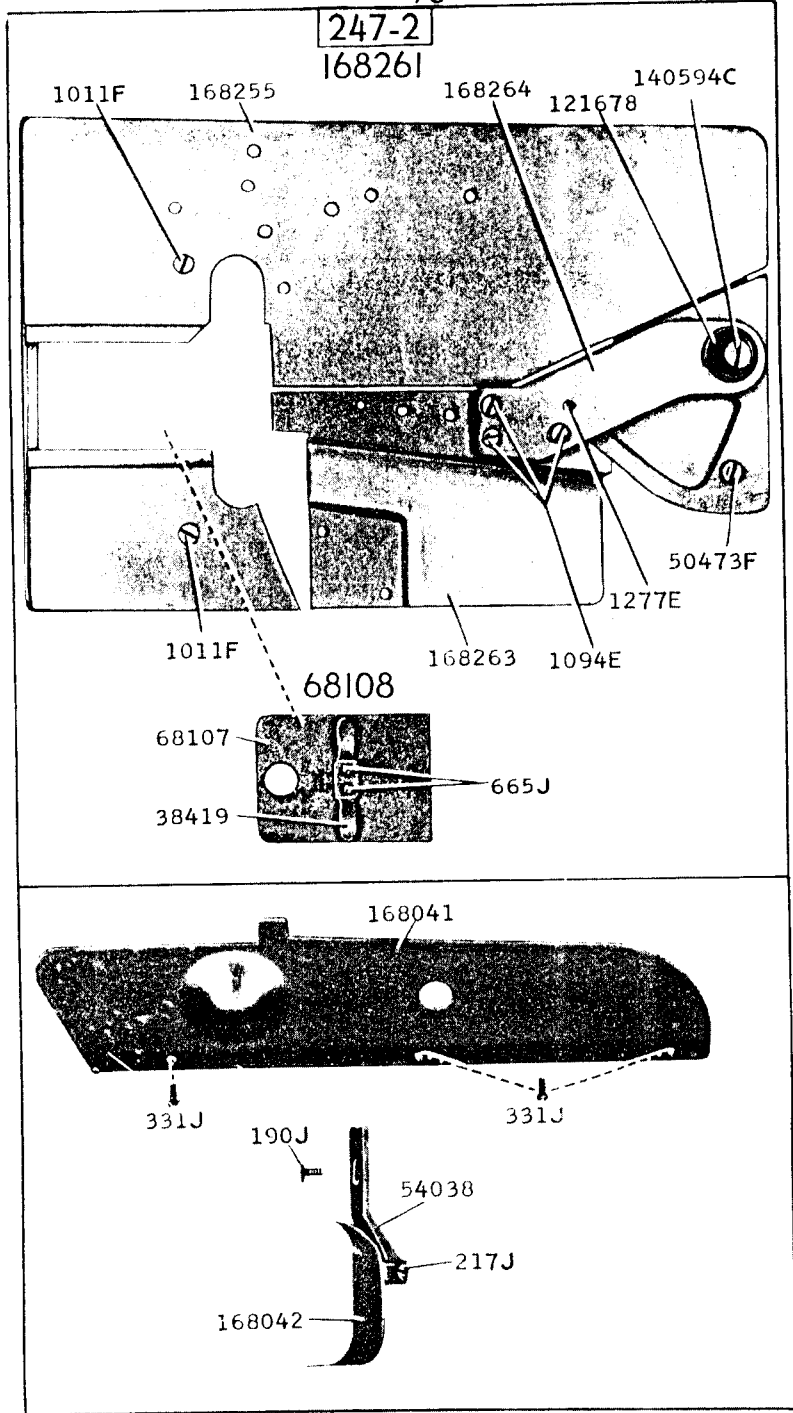




25614-1/3

247-2

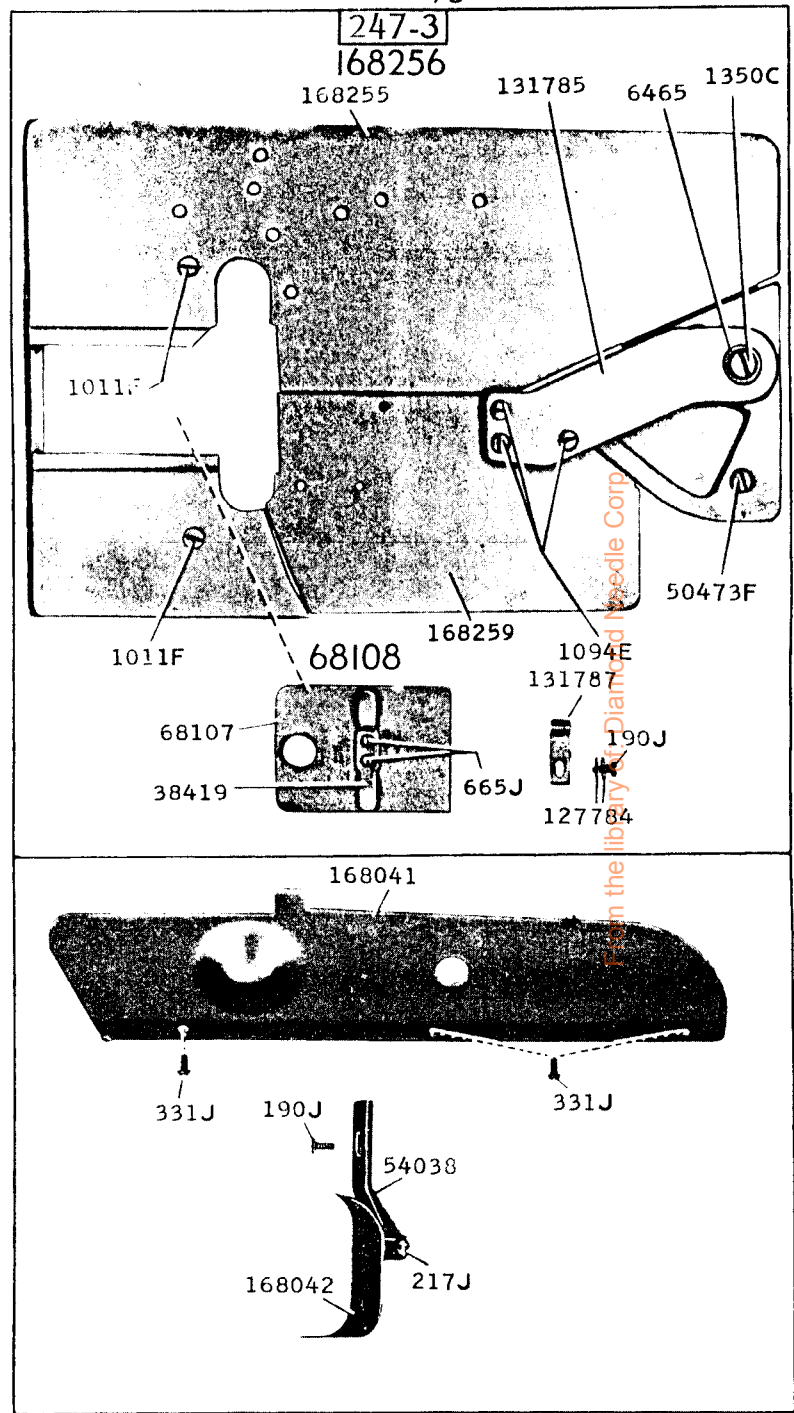
168261



25615-1/3

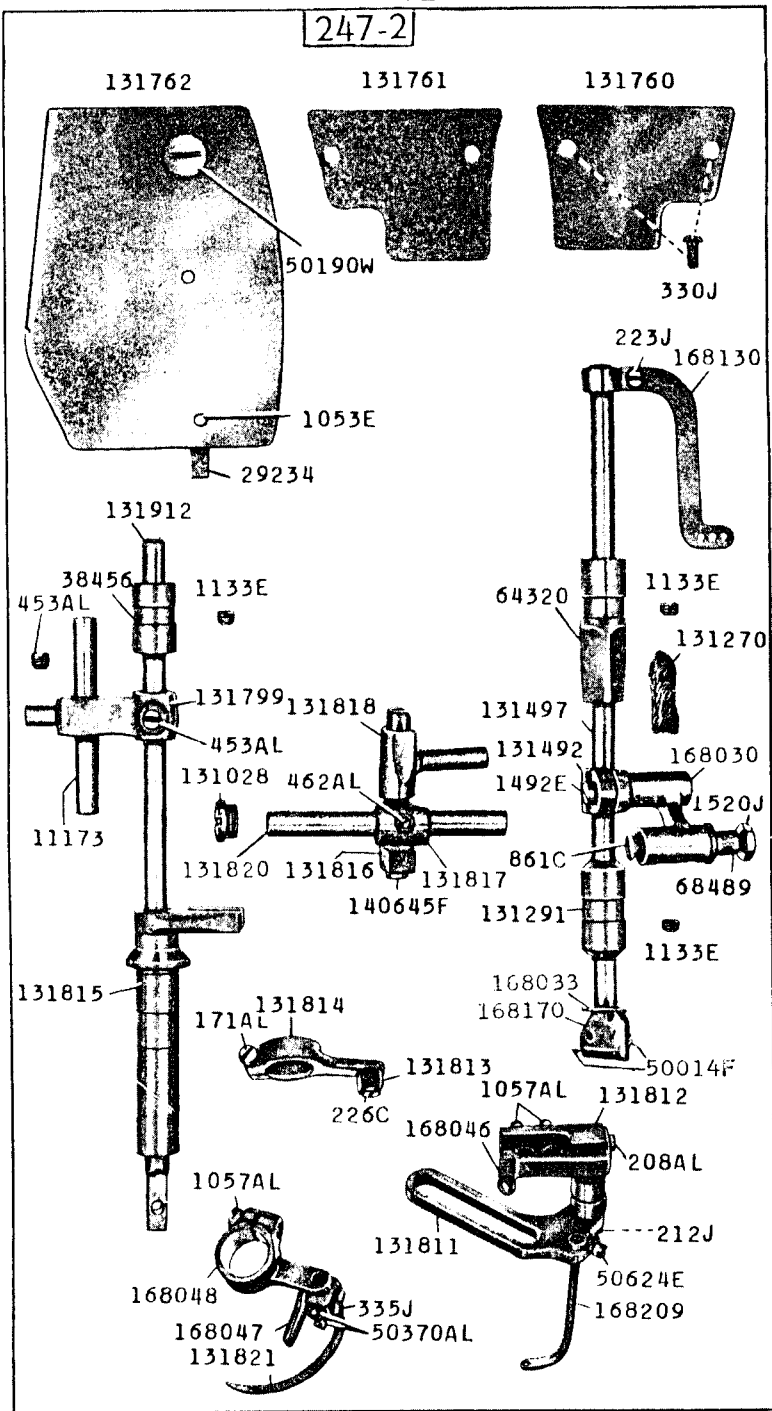
247-3

168256



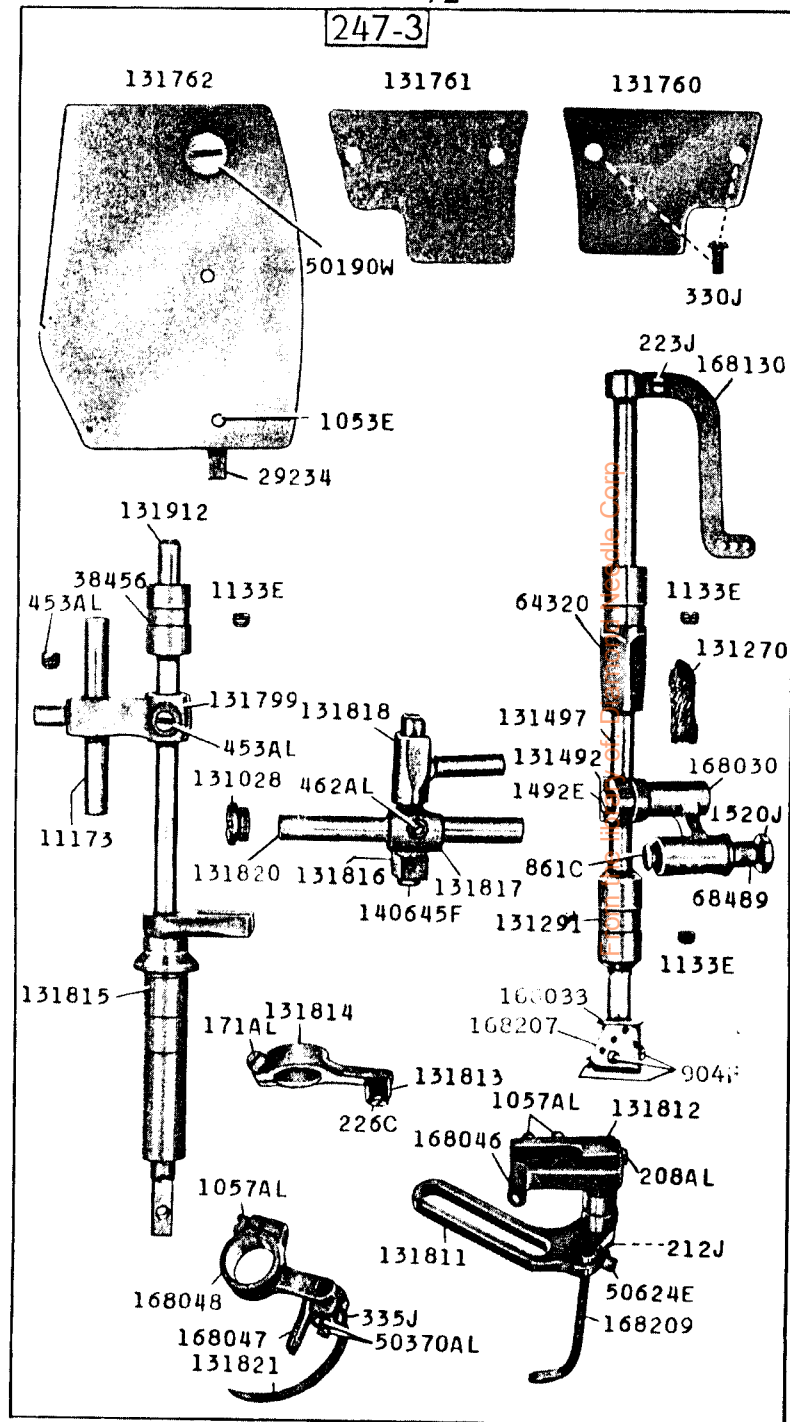
25616-1/2

247-2

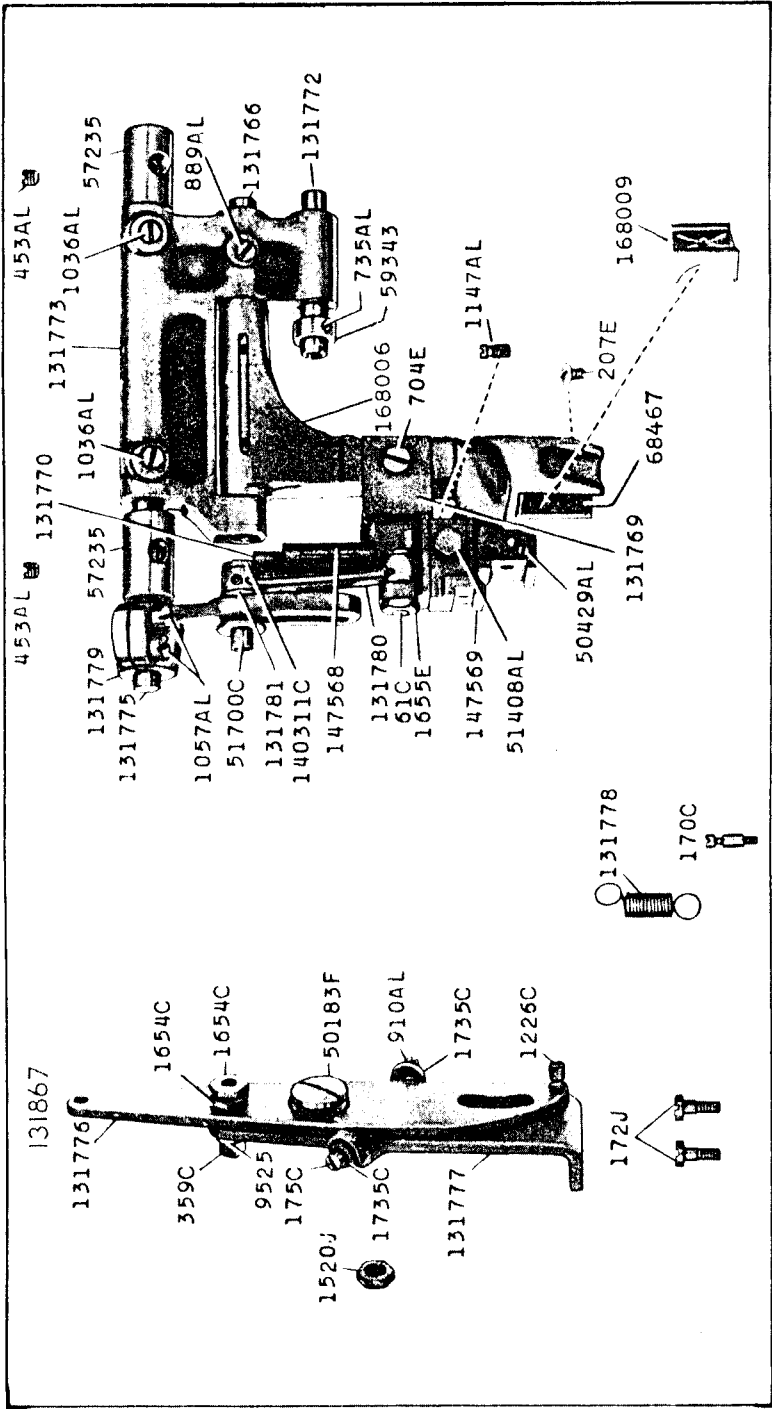


25617-1/2

247-3

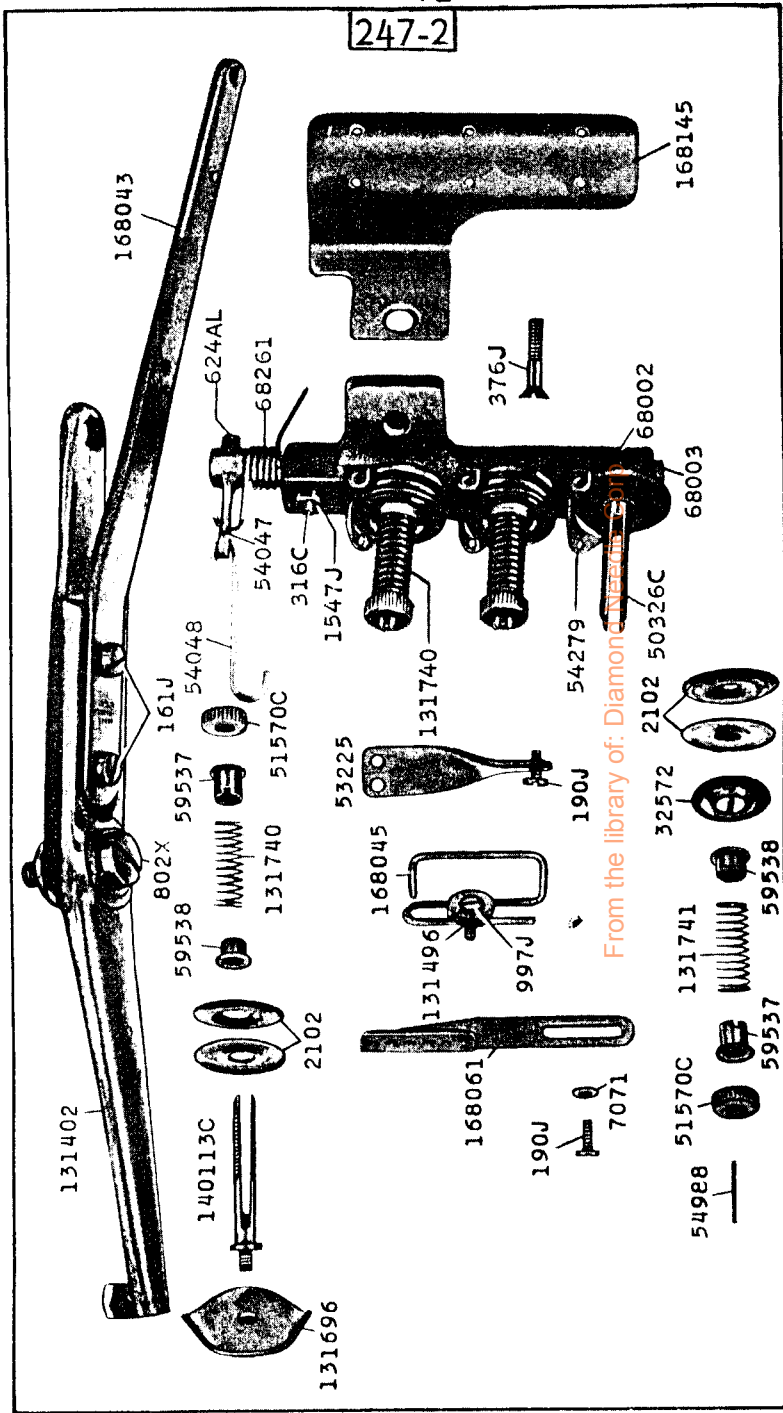


25618-1/2



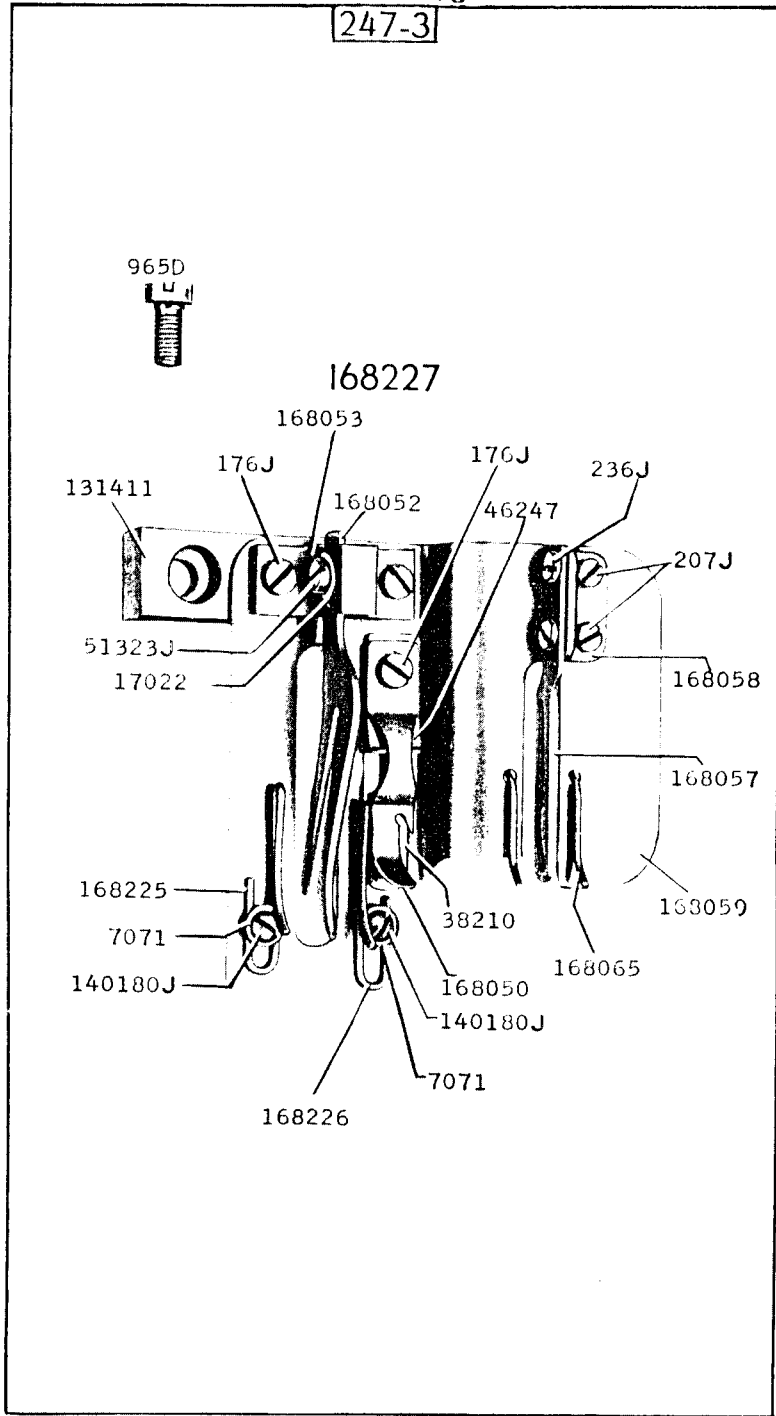
25619-1/2

247-2



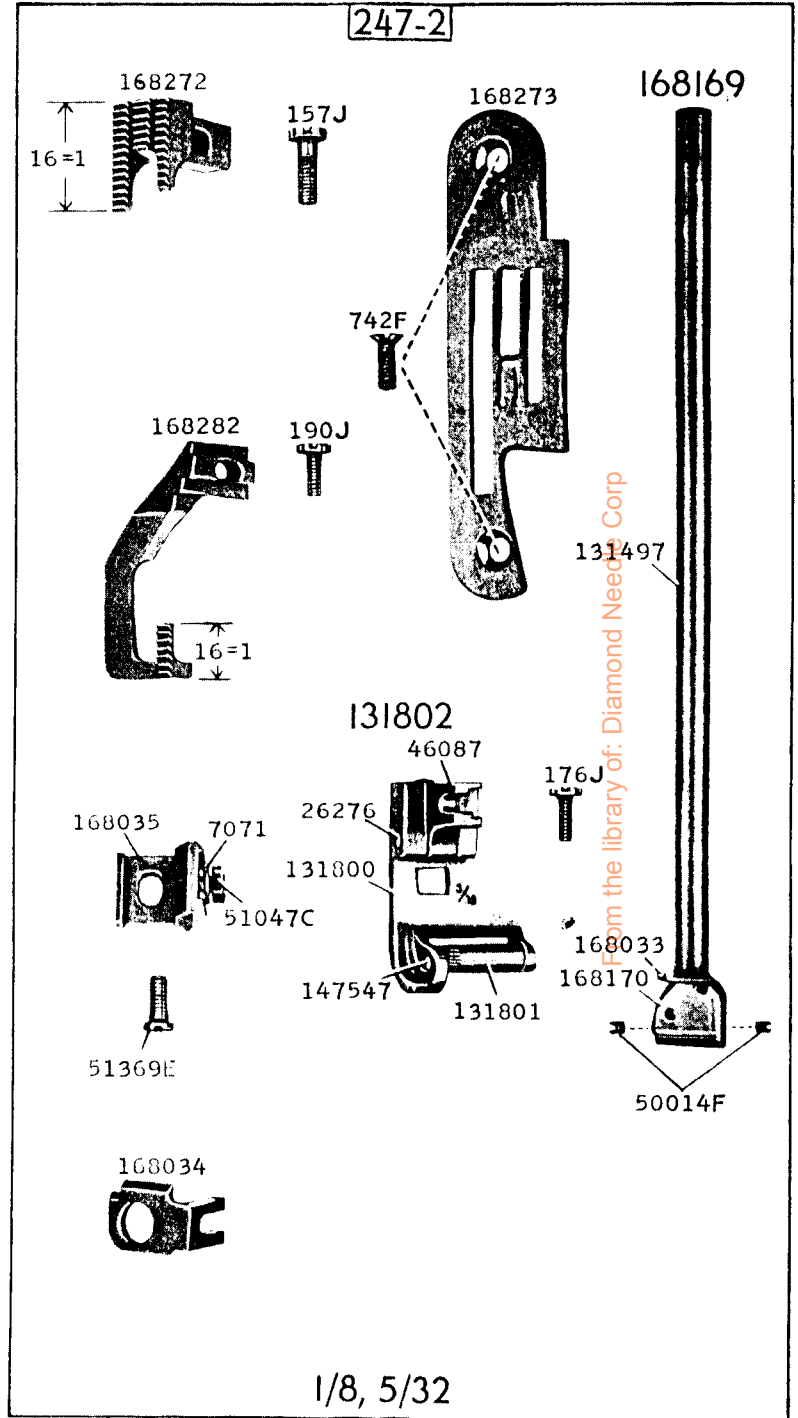
25622-2/3

247-3



25623-2/3

247-2

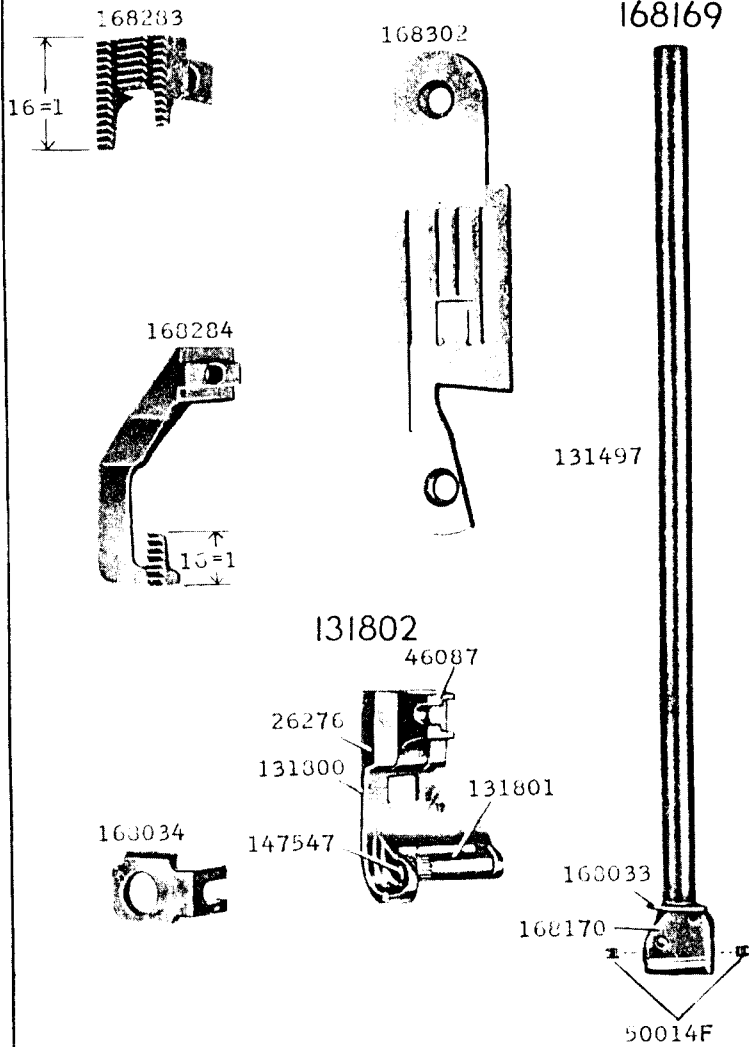


From the library of: Diamond Needs Corp

1/8, 5/32

25624-2/3

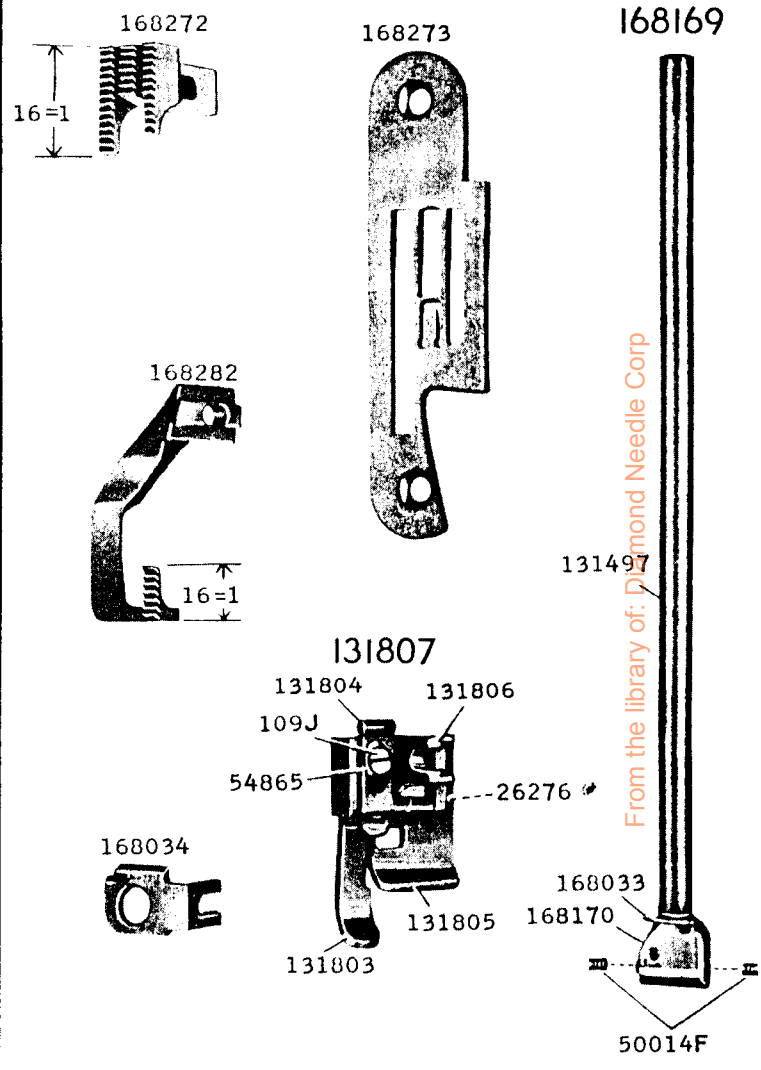
247-2



3/16, 7/32, 1/4

25625-2/3

247-2

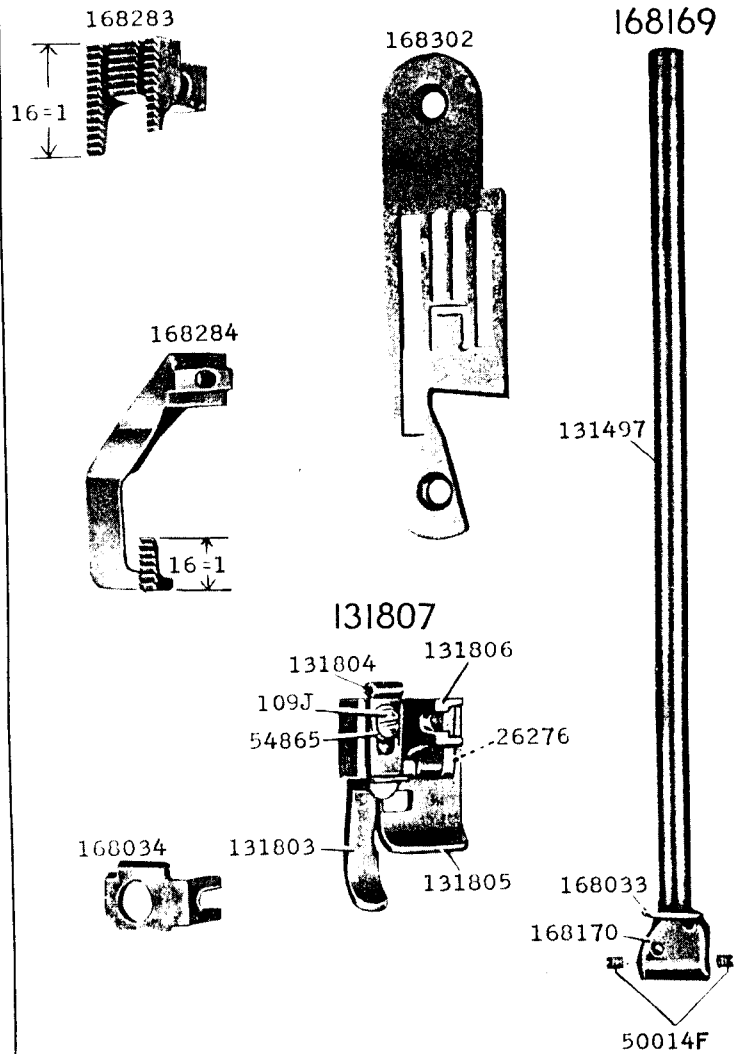


1/8, 5/32

From the library of: Diamond Needle Corp

25626-2/3

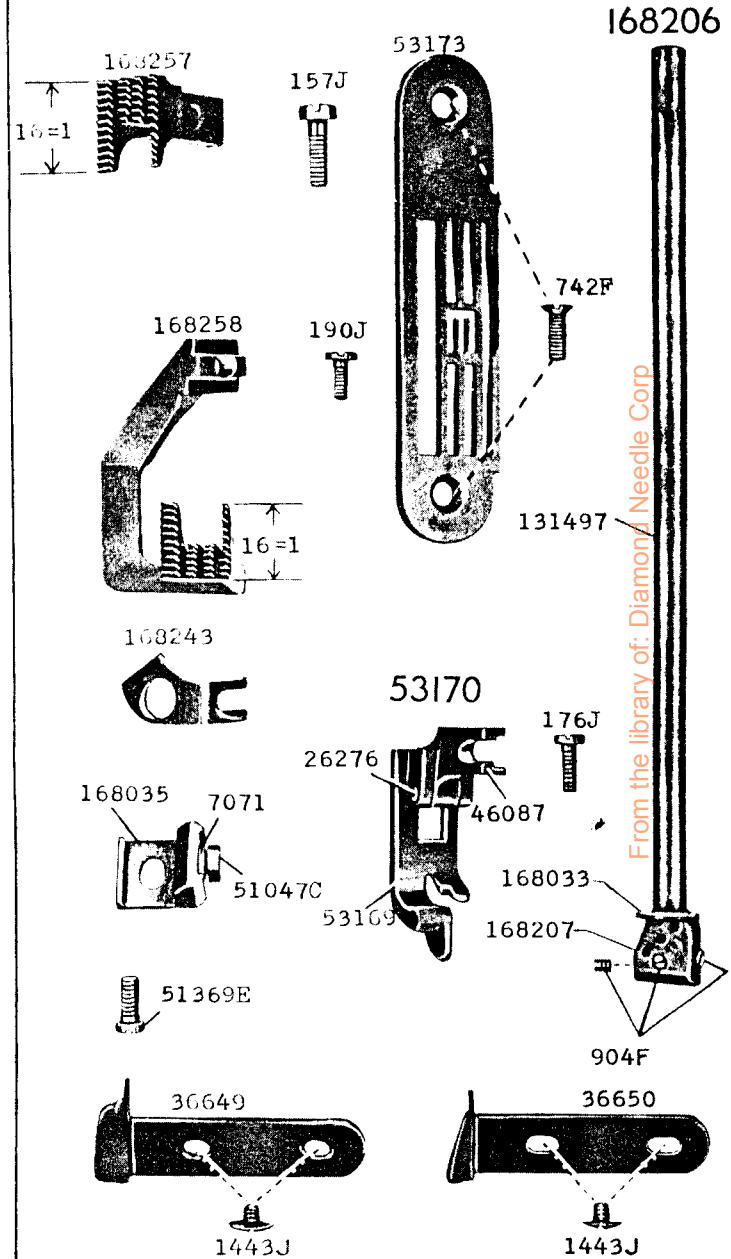
247-2



3/16, 7/32, 1/4

25627-2/3

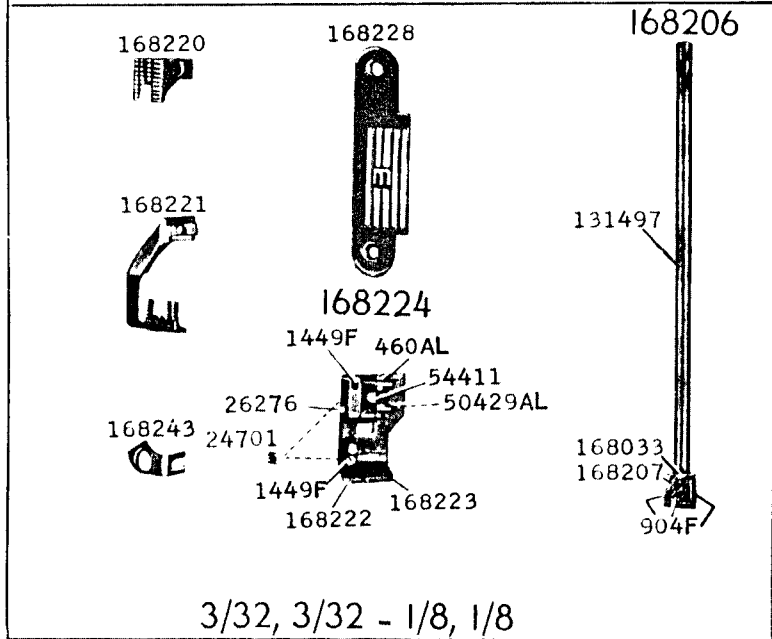
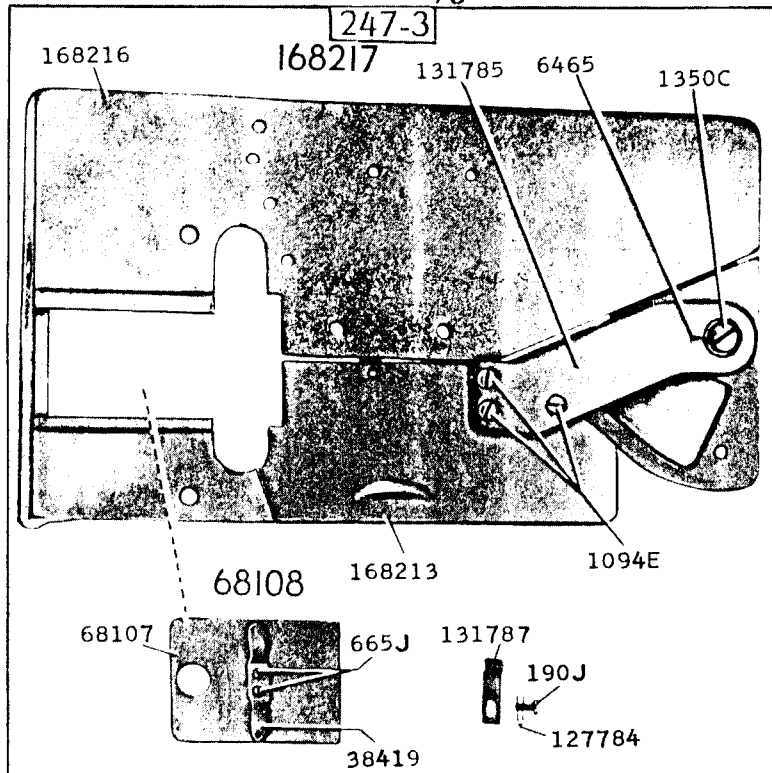
247-3



3/32, 3/32 - 1/8, 1/8

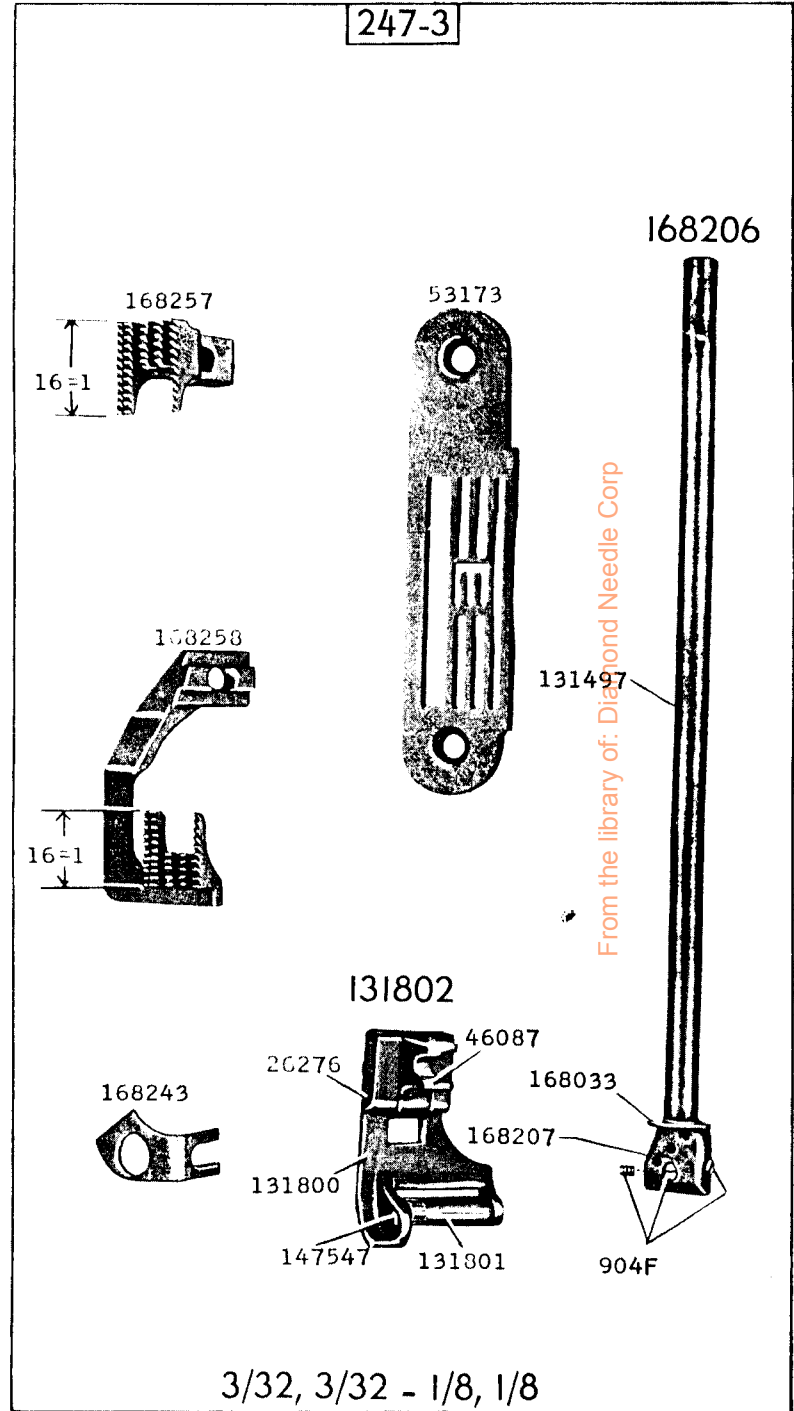
25628-1/3

247-3



25629-2/3

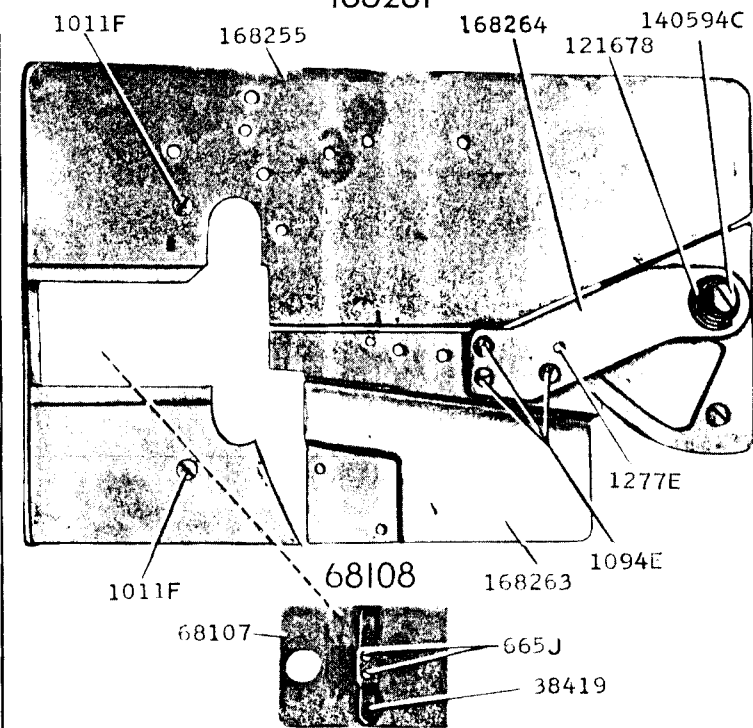
247-3



25630-1/3

247-3

168261



168257

168271

168206

168262

131497

168270

131804 168269

109J 168276

54865 168266 168033

168243

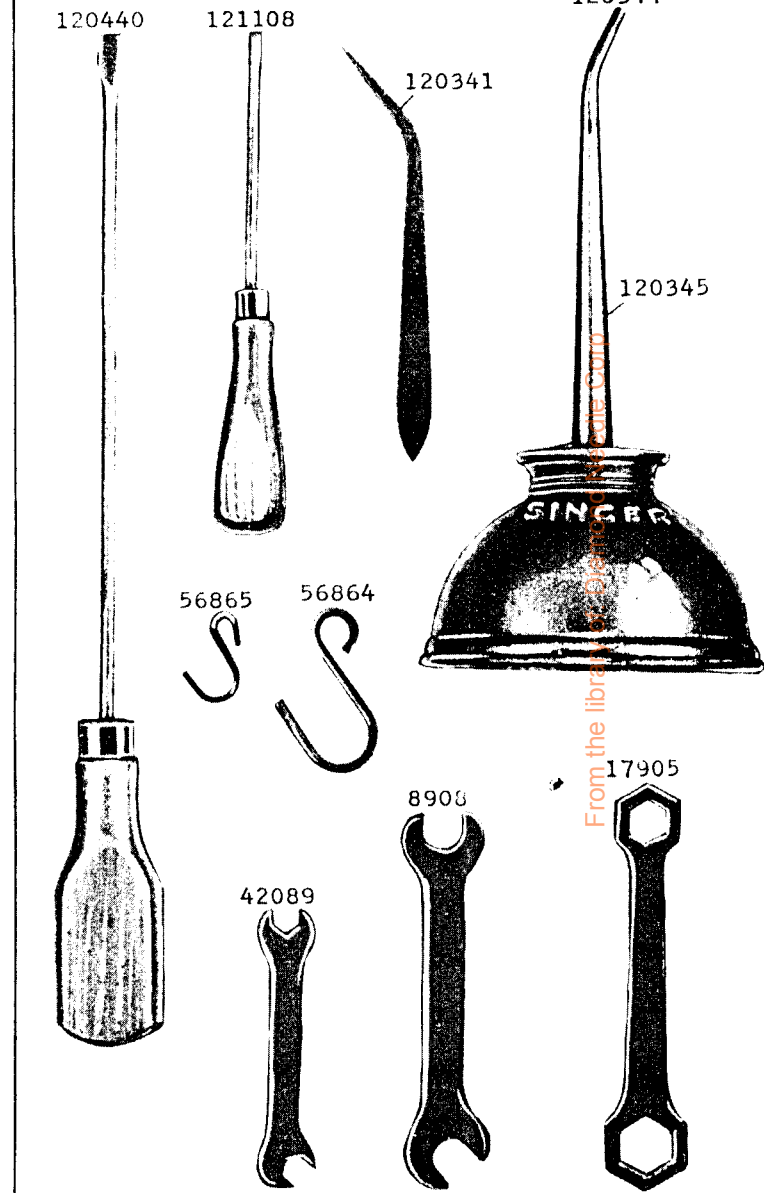
168267 168268 168207

906AL

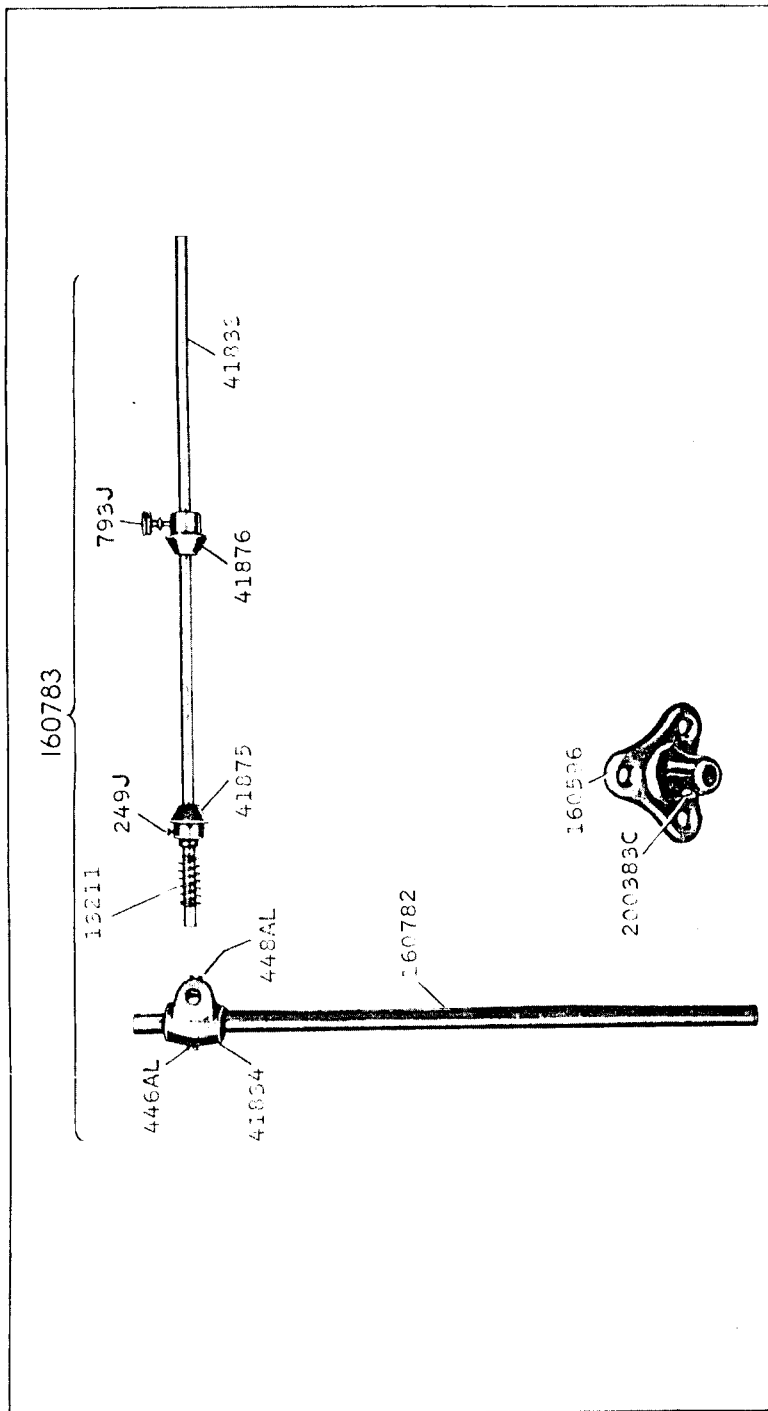
904F

3/32, 3/32 - 1/8, 1/8

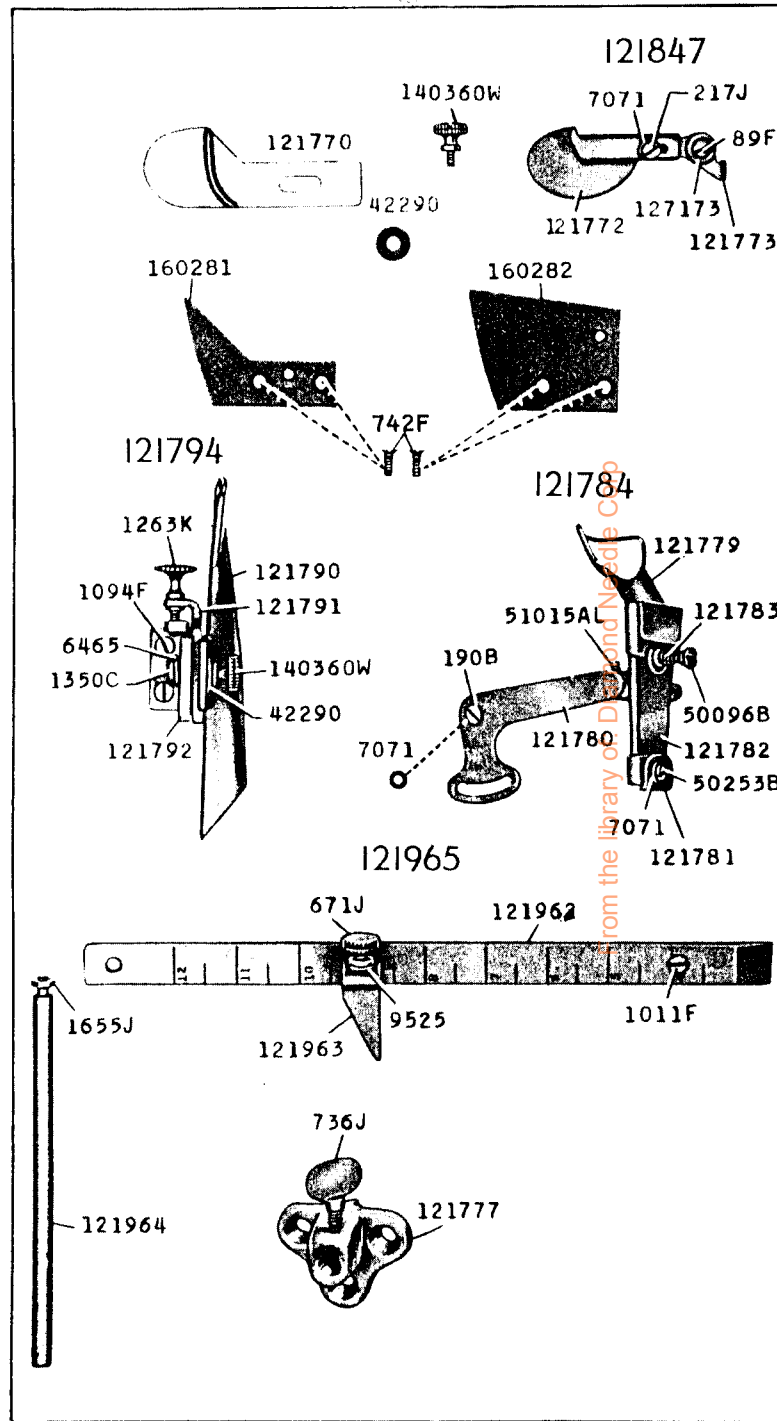
25631-1/2



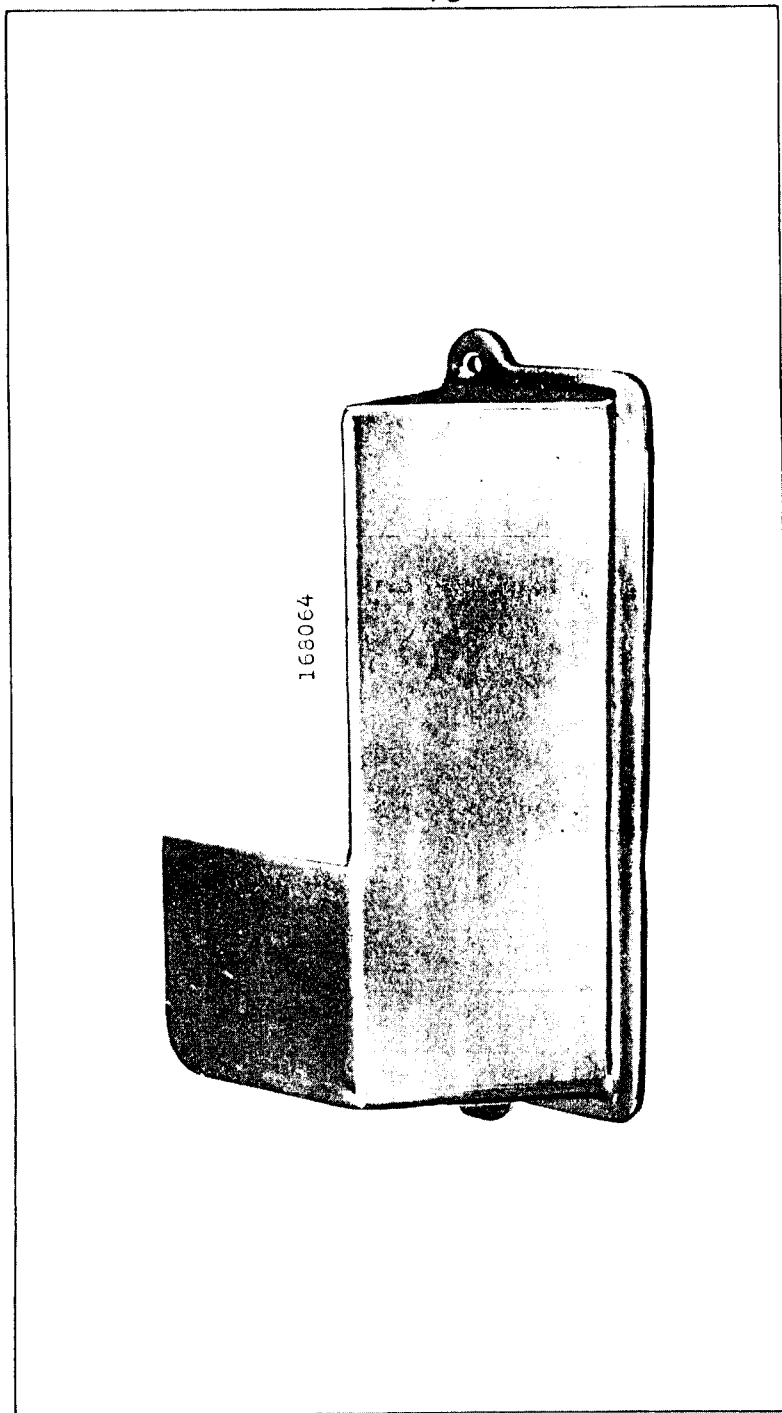
25632-1/4



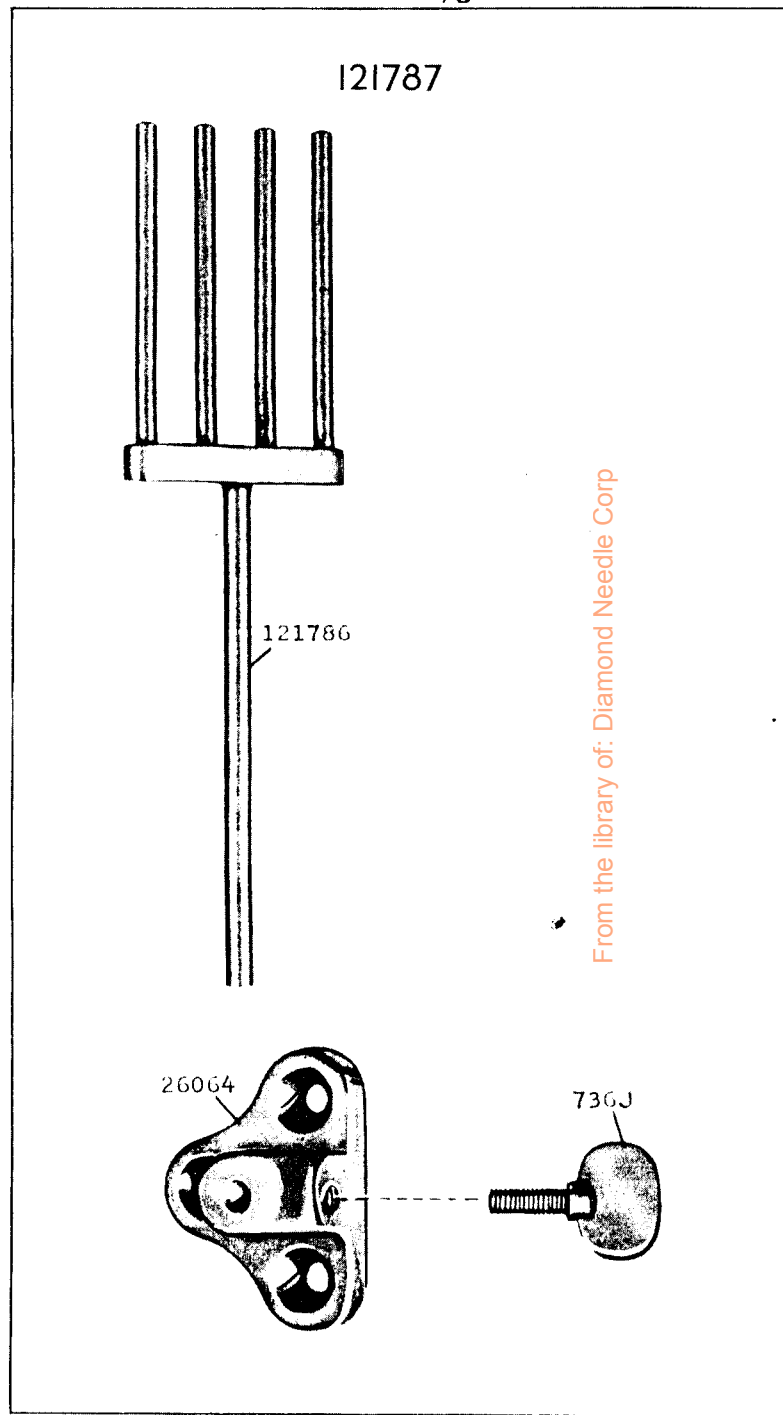
25633-1/3



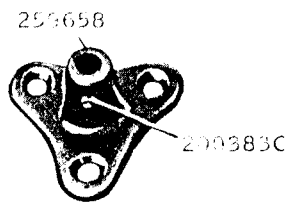
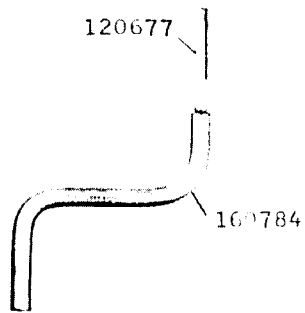
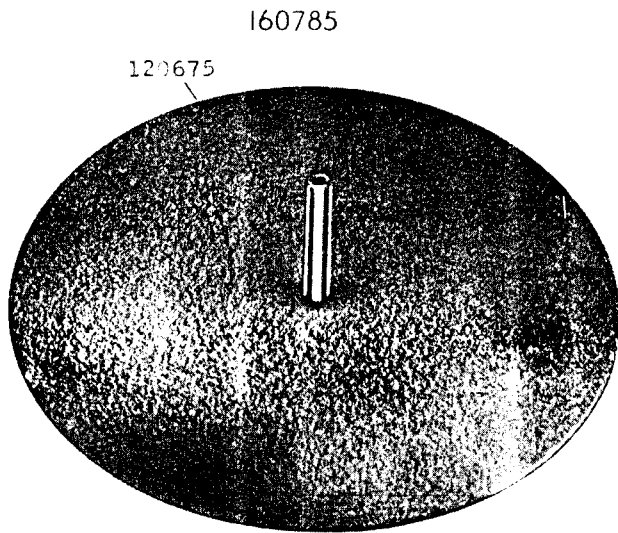
25634-1/3



25635-2/3

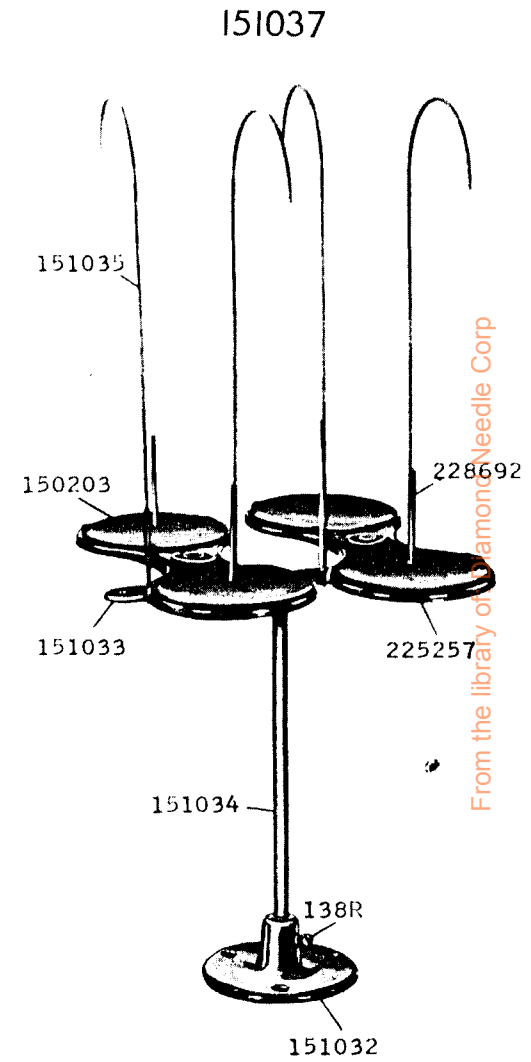


25636-1/3



25637-1/6

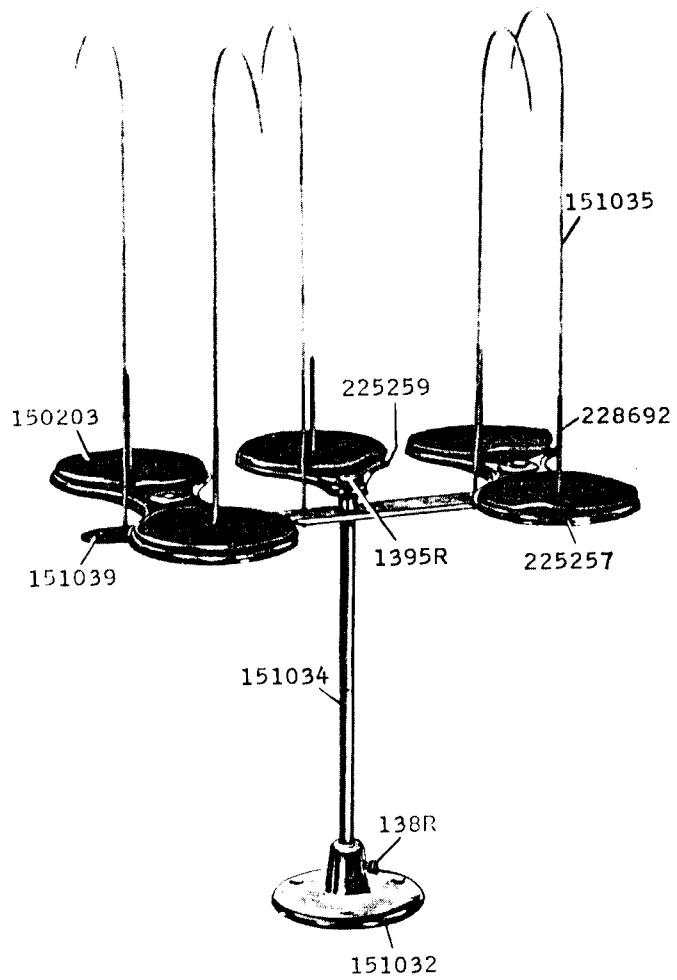
247-2



25638-1/6

247-3

151093



From the library of: Diamond Needle Corp